

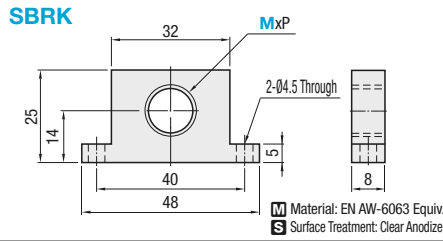
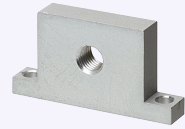
# Holders for Proximity Sensors / Sensor Flags / Sensor Flag Brackets

# Proximity Sensor Flags

## Set Screw / Slit

■ Features: Can be used in combination with Rails for Switches and Sensors - Aluminum (No. 4) on P.2077~P.2083

### Holders for Proximity Sensors



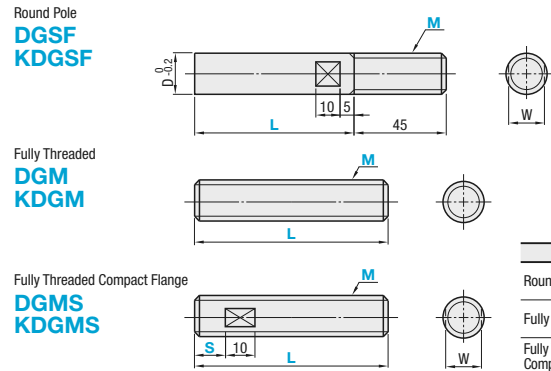
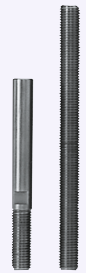
Part Number	Type	No.	M	MxP (Fine)	Unit Price	Volume Discount Rate
SBRK		4	8	8x1.0		10~50
			12	12x1.0		

For orders larger than indicated quantity, please check with WOS.

Ordering Example: Part Number - M  
 SBRK4 - 8

Material: EN AW-6063 Equiv.  
 Surface Treatment: Clear Anodize

### Sensor Flags



Type	M	Material	S	Surface Treatment
Round Pole	DGSF KDGSF	EN 1.1191 Equiv.	-	Black Oxide
Fully Threaded	DGM KDGM		-	Black Oxide
Fully Threaded Compact Flange	DGMS KDGMS		-	Black Oxide

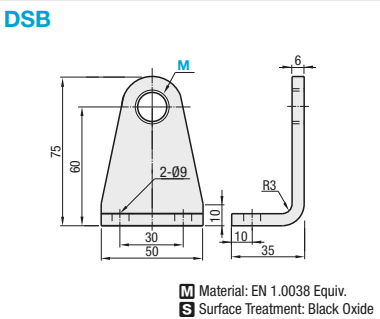
Part Number	M (Coarse)	L	5mm Increment	D	W	DGSF Unit Price				KDGSF Unit Price					
						L50~100	L105~200	L205~400	L405~600	L50~100	L105~200	L205~400	L405~600		
Round Pole	10	50~500		10	8										
DGSF	12	50~600		12	10										
KDGSF	16	50~600		16	12										

Part Number	M (Coarse)	L	5mm Increment	DGM Unit Price			KDGM Unit Price		
				L50~100	L105~200	L205~400	L50~100	L105~200	L205~400
Fully Threaded	10	50~400							
DGM	12	50~400							
KDGM	16	50~400							

Part Number	M (Coarse)	L	S	W	DGMS Unit Price			KDGMS Unit Price		
					L50~100	L105~200	L205~400	L50~100	L105~200	L205~400
Fully Threaded Compact Flange	10	50~400	0 ≤ S ≤ L-10	8						
DGMS	12	50~400	0 ≤ S ≤ L-10	10						
KDGMS	16	50~400	0 ≤ S ≤ L-10	14						

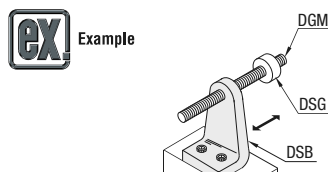
Ordering Example: Part Number - L - S  
 DGSF10 - 150  
 DGMS16 - 300 - 100

### Sensor Flag Brackets



Part Number	Type	M (Coarse)	Unit Price	Volume Discount Rate
DSB		10	1 ~ 9 pc(s).	10~50
		12		
		16		

Ordering Example: Part Number - M  
 DSB12



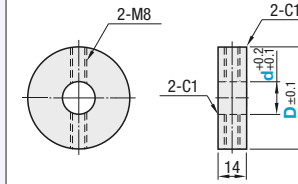
Limit Switch Flags P.2093, 2094

### Set Screw

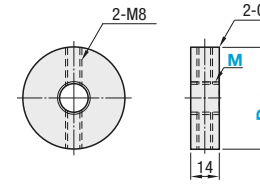


Shaft Bore	Type	M	Material	S	Surface Treatment	A	Accessory
Disc Type with Through Hole	DSS	EN 1.1191 Equiv.	Black Oxide	Set Screw 2 pcs.			
Disc Type with Tapped Hole	DMG, DMGFS	EN 1.1191 Equiv.	Black Oxide	Set Screw 2 pcs., Brass Ball 2 pcs.			

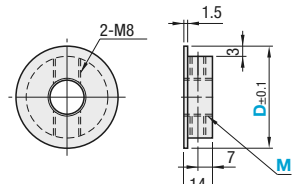
Disc Type with Through Hole and Set Screw  
 DSS



Disc Type with Tapped Hole and Set Screw  
 DMG (With Brass Ball)



Stepped Type with Tapped Hole and Set Screw  
 DMGFS (With Brass Ball)



### With Through Hole and Set Screw

Part Number	Type	D	d	Unit Price	Volume Discount Rate	
						1 ~ 9 pc(s).
DSS		25	8			
		30	10			
		40	12	16		
		50	12	16		

For orders larger than indicated quantity, please check with WOS.

### With Tapped Hole and Set Screw

Part Number	Type	D	M (Coarse)	Unit Price	Volume Discount Rate	
						1 ~ 9 pc(s).
DMG		25	8			
		30	8	10		
		40	12	16		
		50	12	16		
DMGFS		40	12			
		50	12	16		

For orders larger than indicated quantity, please check with WOS.

Ordering Example: Part Number - d, M  
 Type D - d, M  
 DSS 25 - 8

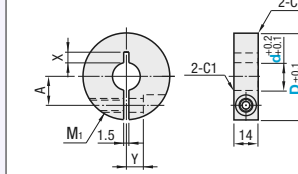
Limit Switch Flags P.2093, 2094

### With Slit

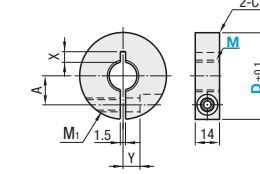


Type	M	Material	S	Surface Treatment	A	Accessory
DSG, DMS, DMSL	EN 1.1191 Equiv.	Black Oxide	Hex Socket Head Cap Screw 1 pc.			

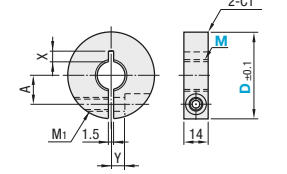
Disc Type with Through Hole and Slit  
 DSG



Disc Type with Tapped Hole and Slit  
 DMS



Disc Type with Tapped Hole and Slit, Deep C-bore  
 DMSL



### Disc Type with Through Hole and Slit

Part Number	Type	D	d	M1 (Coarse)	A	X	Y	Unit Price	Volume Discount Rate
								1 ~ 9 pc(s).	10~50
DSG		30	10	M5	9.0	6	6		
		40	12	16	14.0	7	8		
		50	12	16	16.5	10	10		

For orders larger than indicated quantity, please check with WOS.

### Disc Type with a Tapped Hole and Slit

Part Number	Type	D	M (Coarse)	M1 (Coarse)	A	X	Y	Unit Price	Volume Discount Rate
								1 ~ 9 pc(s).	10~50
DMS		30	10	M5	9.0	6	6		
		40	12	16	14.0	7	8		
		50	12	16	16.5	10	10		
DMSL		50	12	16	15.5	10	6		

For orders larger than indicated quantity, please check with WOS.

Ordering Example: Part Number - d, M  
 Type D - d, M  
 DSG 40 - 16  
 DMS 30 - 10

