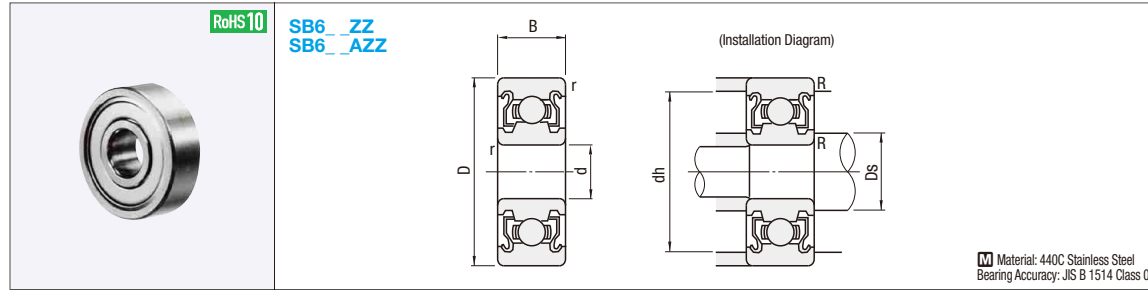


Stainless Steel Small Deep Groove Ball Bearings

Double Shielded



Part Number	d	D	B	r (min)	Basic Load Rating		Allowable Rotational Speed rpm (Reference)	Relative Dimensions			Mass (g) (Reference)	Unit Price
					Cr (Dynamic) N	Cor (Static) N		Ds (min)	dh (max)	R (max)		
SB682ZZ	2	5	2.3	0.08	143	40	85000	2.7	3.9	0.08	0.17	
SB692ZZ		6	3.0	0.15	281	79	75000	3.0	4.8	0.15	0.38	
SB602ZZ		7	3.5		328	102	60000	3.2	5.8		0.58	
SB682AZZ	2.5	6	2.6	0.08	178	59	71000	3.7	4.9	0.08	0.29	
SB692AZZ		7	3.5	0.15	328	102	63000	3.85	5.65	0.15	0.55	
SB673ZZ	3	6	2.5		178	59	71000	3.6	5.4	0.08	0.2	
SB683ZZ		7	3	0.1	331	104	63000	3.9	5.8	0.1	0.45	
SB693ZZ		8	4		474	144	60000		6.8		0.83	
SB603ZZ	3	9	5	0.15	485	151	56000	4.2	7.8	0.15	1.45	
SB623ZZ		10	4		536	175	50000		8.8		1.66	
SB633ZZ		13	5	0.2	1105	388	40000		11.4	0.2	3.33	
SB674ZZ	4	7	2.5		217	86	60000	4.6			0.28	
SB684ZZ		9		0.1	544	179	53000	5.0	7.8	0.1	1.01	
SB694ZZ		11	4	0.15	607	220	48000	5.2	9.8	0.15	1.75	
SB604ZZ	4	12			813	276		5.6	10.4	0.2	2.29	
SB624ZZ		13		0.2	1105	386	40000		11.4		3.04	
SB634ZZ		16	5	0.3	1139	418	36000	6	14	0.3	5.21	
SB675ZZ	5	8	2.5	0.1	174	72	53000	5.8	7.4	0.1	0.34	
SB685ZZ		11	5	0.15	607	225	45000	6.2	9.8		1.96	
SB695ZZ		13	4	0.2	915	344	43000	6.6	11.4	0.2	2.5	
SB605ZZ	5	14			1105	404	40000		12.4		3.48	
SB625ZZ		16	5	0.3	1470	536	36000	7	14	0.3	4.86	
SB635ZZ		19	6		1986	708	32000		17		8.34	
SB676ZZ	6	10	3	0.1	396	174	45000	7.04	9.3	0.1	0.68	
SB686ZZ		13		0.15	918	352		7.0	11.8	0.2	2.69	
SB696ZZ		15	5	0.2	1139	418	40000		13.4		3.72	
SB606ZZ	6	17			1921	668	38000		15		6.08	
SB626ZZ		19	6	0.3	1986	708	32000	8	17	0.3	7.94	
SB636ZZ		22	7		2833	1138	30000		20		14.5	
SB678ZZ	8	12	3.5	0.1	434	219	40000	9.05	11.33	0.1	0.97	
SB688ZZ		16	5	0.2	1368	568	36000	9.6	14.4	0.2	4.02	
SB698ZZ		19	6		1901	728			17		7.18	
SB608ZZ	8	22	7	0.3	2799	1103	34000		20		12	
SB628ZZ		24	8		2833	1138	28000		22		17	
SB638ZZ		28	9		3879	1586			26		30.3	

kgf-Nx0.101972

Ordering Example Part Number SB636ZZ

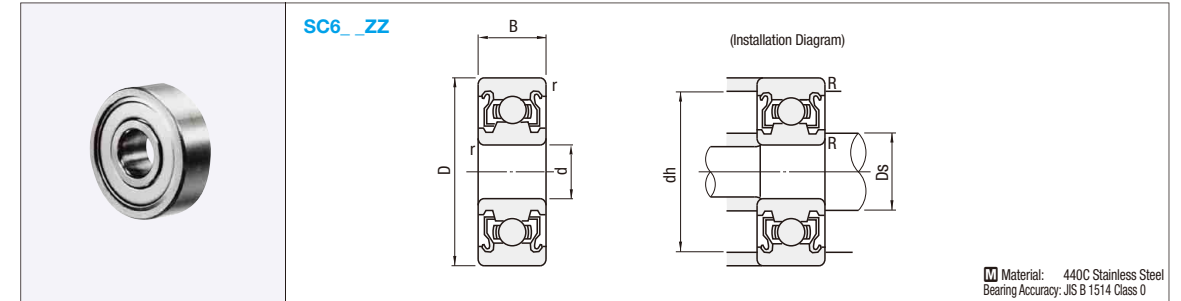
Price Configure Online

Days to Ship Configure Online

Stainless Steel Small Deep Groove Ball Bearings (Economy)

Double Shielded

Feature: Economical Stainless Steel Small Deep Groove Ball Bearings made by overseas manufacturers.



Part Number	d	D	B	r (min)	Basic Load Rating		Allowable Rotational Speed rpm (Reference)	Relative Dimensions			Mass (g) (Reference)	Unit Price
					Cr (Dynamic) N	Cor (Static) N		Ds (min)	dh (max)	R (max)		
SC682ZZ	2	5	2.3	0.1	166	49	85000	2.7	3.9	0.08	0.17	
SC692ZZ		6	3	0.15	330	98	75000	3	4.8	0.15	0.38	
SC673ZZ		7	2.5		206	69	71000	3.6	5.4	0.08	0.2	
SC683ZZ	3	7	3	0.1	313	108	63000	3.9	5.8	0.1	0.45	
SC693ZZ		8			559	176	60000		6.8		0.83	
SC623ZZ		10	4	0.15	627	216	50000	4.2	8.8	0.15	1.66	
SC674ZZ	4	7	2.5	0.08	255	108	60000	4.6	6.4	0.08	0.28	
SC684ZZ		9		0.1	637	225	53000	5	7.8	0.1	1.01	
SC694ZZ		11	4	0.15	960	353	48000	5.2	9.8	0.15	1.75	
SC604ZZ	4	12			960	353		5.6	10.4		2.29	
SC624ZZ		13	5	0.2	1303	490	40000		11.4	0.2	3.04	
SC634ZZ		16		0.3	1340	523	36000	6	14	0.3	5.21	
SC675ZZ	5	8	2.5	0.08	216	88	53000	5.8	7.4	0.1	0.34	
SC685ZZ		11	5		715	282	45000	6.2	9.8		1.96	
SC695ZZ		13	4	0.2	1078	431	43000	6.6	11.4	0.2	2.5	
SC605ZZ	5	14			1333	510	40000		12.4		3.48	
SC625ZZ		16	5	0.3	1666	588	36000	7	14	0.3	4.86	
SC676ZZ		10	3	0.1	500	216	45000	7.04	9.3	0.1	0.68	
SC686ZZ	6	13			1078	441		7	11.8	0.15	2.69	
SC696ZZ		15	5	0.2	1343	520	40000		13.4	0.2	3.72	
SC606ZZ		17			2264	843	38000		15		6.08	
SC626ZZ	6	19	6	0.3	2332	882	32000	8	17	0.3	7.94	
SC636ZZ		22	7		3333	1423	30000		20		14.5	
SC678ZZ		12	3.5	0.1	510	274	40000	9.05	11.33	0.1	0.97	
SC688ZZ	8	16	5	0.2	1254	588	36000	9.6	14.4	0.2	4.02	
SC698ZZ		19	6		2234	921			17		7.18	
SC608ZZ		22	7	0.3	3293	1382	34000		20	0.3	12	
SC628ZZ	8	24	8		3332	1421	28000		22		17	

kgf-Nx0.101972

Ordering Example Part Number SC608ZZ

Price Configure Online

Days to Ship Configure Online

<Why Economy Type is recommended>

Economy Type is also in high quality.
 Causes for bearing problems can be detected by performing Anderson Inspection. Economy Type shows equivalent actual Anderson values in comparison with our Standard products.

Anderson Value Comparison of Current MISUMI Standard Products and Current Economy Type

Lower value indicates higher product integrity.

What is Anderson Inspection?
 This inspection measures the bearing's rotational vibrations in (L, H, M) frequency spectra to determine the bearing's performance. The inspection is used on the finished bearings, serving the purpose of removing bearing initial defects.

MISUMI's Economy Type Bearings are all subject to Anderson Inspection.

Frequency Spectrum

Standard Economy Type Standard Economy Type Standard Economy Type

L M H

Circularity of Groove and Outer Ring Scratches and Foreign Objects on the Track Surface Surface Roughness of Groove and Steel Balls

Indicates the max. and min. Anderson values of the Economy Type.

For details of Economy Type, see P.873.