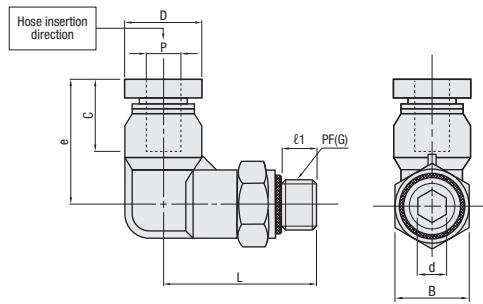




# QUICK-FITTING JOINTS

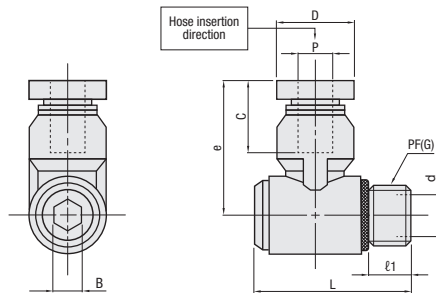
— PARALLEL SCREW TYPE —



| Pack                           | Type                        |
|--------------------------------|-----------------------------|
| <b>10PACK</b> —<br>(for 10pcs) | <b>D—M—PL—R</b> (Red ring)  |
| <b>30PACK</b> —<br>(for 30pcs) | <b>D—M—PL—B</b> (Blue ring) |

**M** Main body : brass (C3604) + nickel plating  
 Open ring : polyacetal resin (POM)  
 Threaded part: brass (C3604) + nickel plating  
 Threaded part: parallel pipe thread PF(G)

| Matching tubes        |                 | Tube inserting hole |      | d    | D    | L    | e  | B   | l1  | PF(G)                          | Part No.  |       |  |
|-----------------------|-----------------|---------------------|------|------|------|------|----|-----|-----|--------------------------------|---|-------|--|
| Ext. dia. × Int. dia. | Hole diameter P | Depth C             | Pack |      |      |      |    |     |     |                                | Type  | No.   |  |
| 8×6                   | 8               | 18.8                | 6.2  | 14.5 | 24.5 | 23   | 14 | 5.5 | 1/8 | <b>10PACK</b><br><b>30PACK</b> | <b>D—M—PL—R</b><br>(Ring Color: Red)<br><b>D—M—PL—B</b><br>(Ring Color: Blue) | 8-01  |  |
| 8×6                   | 8               | 18.8                | 9    | 14.5 | 25.5 | 23   | 17 | 6.5 | 1/4 |                                |   | 8-02  |  |
| 8×6                   | 8               | 18.8                | 11.8 | 14.5 | 27.5 | 23   | 20 | 7.5 | 3/8 |                                |   | 8-03  |  |
| 10×8                  | 10              | 20.2                | 6.2  | 18.5 | 26.5 | 27   | 17 | 5.5 | 1/8 |                                |   | 10-01 |  |
| 10×8                  | 10              | 20.2                | 9    | 18.5 | 27.5 | 27   | 17 | 6.5 | 1/4 |                                |   | 10-02 |  |
| 10×8                  | 10              | 20.2                | 11.8 | 18.5 | 29.5 | 27   | 20 | 7.5 | 3/8 |                                |   | 10-03 |  |
| 12×9                  | 12              | 22.9                | 9    | 21   | 28   | 29.5 | 17 | 6.5 | 1/4 |                                |   | 12-02 |  |
| 12×9                  | 12              | 22.9                | 11.8 | 21   | 30   | 29.5 | 20 | 7.5 | 3/8 |                                |   | 12-03 |  |



| Pack                           | Type  |
|--------------------------------|---|
| <b>10PACK</b> —<br>(for 10pcs) | <b>D—M—POL—R</b><br>(Red ring: inner hexagonal hole L-joint)  |
| <b>30PACK</b> —<br>(for 30pcs) | <b>D—M—POL—B</b><br>(Blue ring: inner hexagonal hole L-joint) |

**M** Main body : brass (C3604) + nickel plating  
 Open ring : polyacetal resin (POM)  
 Threaded part: brass (C3604) + nickel plating  
 Threaded part: parallel pipe thread PF(G)

| Matching tubes        |                 | Tube inserting hole |      | d    | D  | L    | e  | B   | l1  | PF(G)                          | Part No.  |       |  |
|-----------------------|-----------------|---------------------|------|------|----|------|----|-----|-----|--------------------------------|---|-------|--|
| Ext. dia. × Int. dia. | Hole diameter P | Depth C             | Pack |      |    |      |    |     |     |                                | Type  | No.   |  |
| 8×4                   | 8               | 18.3                | 9    | 14.5 | 27 | 27   | 8  | 6.5 | 1/4 | <b>10PACK</b><br><b>30PACK</b> | <b>D—M—POL—R</b><br>(Ring Color: Red)<br><b>D—M—POL—B</b><br>(Ring Color: Blue) | 8-02  |  |
| 8×4                   | 8               | 18.3                | 11.8 | 14.5 | 28 | 27.3 | 8  | 7.5 | 3/8 |                                |   | 8-03  |  |
| 10×8                  | 10              | 20.2                | 9    | 18.4 | 31 | 31   | 10 | 6.5 | 1/4 |                                |   | 10-02 |  |
| 10×8                  | 10              | 20.2                | 11.8 | 18.4 | 32 | 31   | 10 | 7.5 | 3/8 |                                |   | 10-03 |  |
| 12×9                  | 12              | 22.9                | 11.8 | 21   | 36 | 36.5 | 12 | 7.5 | 3/8 |                                | 12-03   |       |  |



Order

Part No. \_\_\_\_\_  
 Pack — Type — No.  
 (for 10pcs) **10PACK** — **D—M—PL—R** — **8—03**  
 (for 30pcs) **30PACK** — **D—M—POL—B** — **12—03**



Days to Ship



Stock



Price

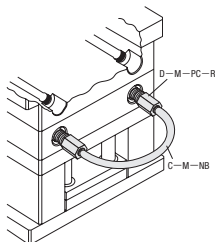
Order / Quote:

WOS: <https://in.misumi-ec.com/>

TEL: +91-124-468-8800 E-mail: cs@misumi.co.in



Example



## Notes on handling

- Hot water tube is suitable for cooling water and cooling air.
- When inserting the tube into the quick-fitting joint for the cooling water of the mold, cut the ends of the tube vertically before using it. Note that the tube is likely to fall off and leak if the ends are cut obliquely.
- Since the destructive pressure will decrease as the hot water tube rises with the temperature, confirm the destructive pressure value of the above table when using it at high temperature.
- When reinstalling the tube to the tightening joint, cut off the installed part before installing. Otherwise, the tube is likely to fall off and leak.