


SINGLE-HEEL GUIDE RAILS

—V DIMENSION STANDARD TYPE (HEEL HEIGHT 5mm • 8mm TYPE)—

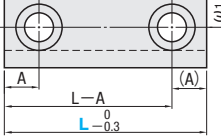
DOUBLE HEEL GUIDE RAILS

—FREE DESIGNATION TYPE—

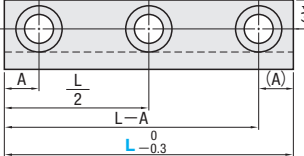
Ⓜ Non JIS material definition is listed on P.1351 - 1352



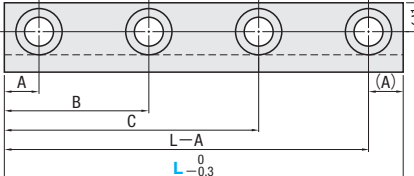
■ Mounting bolt hole : 2



■ Mounting bolt hole : 3



■ Mounting bolt hole : 4

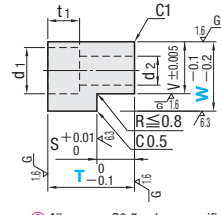


■ Table for Bolt Hole Size

W	T	d ₁	d ₂	t ₁	ω ₁
12.5	12.5 • 15 • 20	8	4.5	5	5
15	15 • 20 • 25	9.5	5.5	6	6
20	20 • 30	11	6.5	7	9
	25 • 30	14	9	9	

Part Number	M	F	Heel height=S	V	R
GR5SV	SKS3	53~56HRC	5	(W-2.5)	R≤0.8
GR5MV	HPM2T equivalent	37~41HRC			
GR8SV	SKS3	53~56HRC	8	(W-4.5)	
GR8MV	HPM2T equivalent	37~41HRC			

Ⓜ Note that the S dimension tolerance is different from that of heel height 10mm, 12mm and 15mm types.



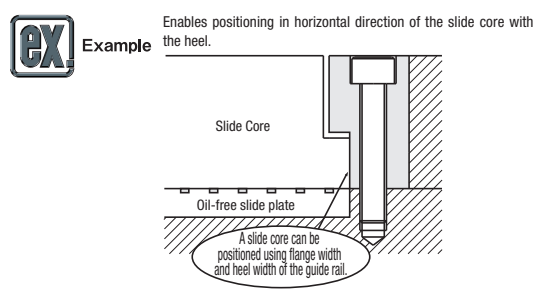
Ⓜ All corners C0.5 unless specified.


Part Number Type	W	T Selection	L				No. of bolt holes	A	B	C
			40	50	60	70				
GR5SV GR5MV	12.5	12.5				2				
		15				3	7.5			
	15	15	40	50	60	2				
		20	70	80	90	100	3	7.5		
GR8SV GR8MV	15	15	40	50	60	2	7.5			
		20	70	80	90	100	3			
	20	20	60	70	80	90	2			
		30	100	110	120	3	10			

Order **Part Number** - **T** - **L**
GR5SV15 - 15 - 60

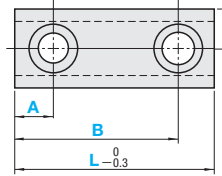
Days to Ship **Quotation**

Price **Quotation**

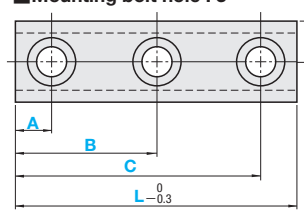




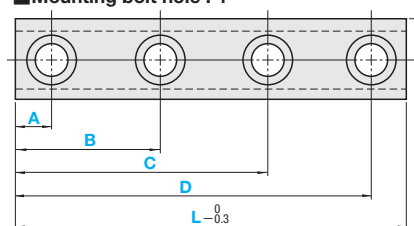
■ Mounting bolt hole : 2



■ Mounting bolt hole : 3



■ Mounting bolt hole : 4

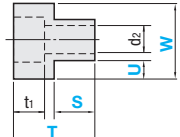


■ Table for Bolt Hole Size

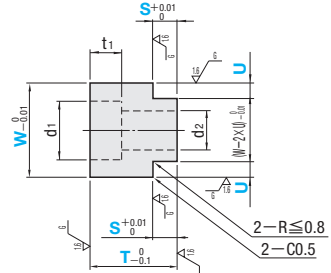
W	T	d ₁	d ₂	t ₁
15	15~20	8	4.5	5
18	15~30	9.5	5.5	6
22 • 26	20~24	11	6.5	7
	25~40	14	9	9
32 • 38	25~50	17	11.5	11

Part Number	M	F
FGTSF2M • FGTSF3M • FGTSF4M	SKS3	53~56HRC
FGTMF2M • FGTMF3M • FGTMF4M	HPM2T equivalent	37~41HRC

■ Heel Height (S) and Width (U) Settings



Setting Standard
$S \leq T - (t_1 + 2)$
$U \leq \frac{W}{2} - (\frac{d_2}{2} + 1)$



Ⓜ All corners C≤1 unless specified.

Part Number Type	W	T 1mm increments	L 5mm increments	S 1mm increments	U 0.5mm increments	Bolt hole pitch 0.5mm increments			
						A	B	C	D
FGTSF2M (2 holes)	15	15~20	40~100	Refer to the setting standard before designating.	Refer to the setting standard before designating.	$6 \leq A \leq B - 10$	$A + 10 \leq B \leq C - 10$	$B + 10 \leq C \leq D - 10$	$C + 10 \leq D \leq L - 6$
FGTSF3M (3 holes)	18	15~30	40~100			$7 \leq A \leq B - 11.5$	$A + 11.5 \leq B \leq C - 11.5$	$D + 11.5 \leq C \leq D - 11.5$	$C + 11.5 \leq D \leq L - 7$
FGTSF4M (4 holes) (SKS3)	22	20~40	40~150			$T < 25$ $7.5 < A \leq B - 13$	$T < 25$ $A + 13 \leq B \leq C - 13$	$T < 25$ $B + 13 \leq C \leq D - 13$	$T < 25$ $C + 13 \leq D \leq L - 7.5$
FGTMF2M (2 holes)	26	20~40	40~150			$T \geq 25$ $9 < A \leq B - 16$	$T \geq 25$ $A + 16 \leq B \leq C - 16$	$T \geq 25$ $B + 16 \leq C \leq D - 16$	$T \geq 25$ $C + 16 \leq D \leq L - 9$
FGTMF3M (3 holes)	32	25~50	50~200						
FGTMF4M (4 holes) (HPM2T equivalent)	38	25~50	50~200			$10.5 \leq A \leq B - 19$	$A + 19 \leq B \leq C - 19$	$B + 19 \leq C \leq D - 19$	$C + 19 \leq D \leq L - 10.5$

Order **Part Number** - **T** - **L** - **S** - **U** - **A** - **B** - **C** - **D**
FGTMF4M 22 - 30 - 145 - S12 - U4.0 - A15.0 - B40.5 - C95.0 - D130.0

Days to Ship **Quotation**

Price **Quotation**