


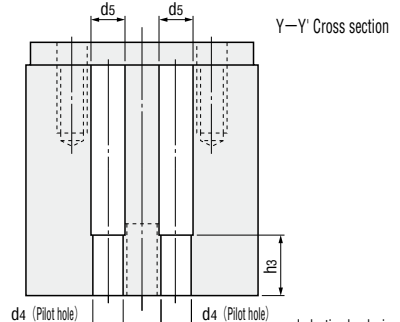
PAD KEEPERS

KEPN and KEPNP were discontinued in 2017.

PAD GUIDE BLOCKS

KEPN RoHS






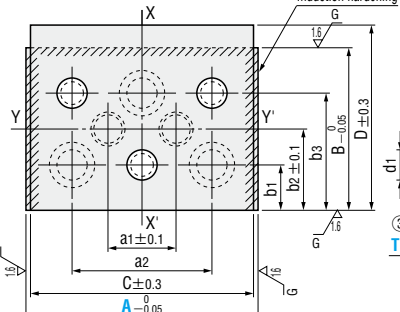
Y-Y' Cross section

| A | KEPNZ80 | KEPNZ100 |
|---|---------------------|------------------|
| ③ | T=10 CB10-30 3 pcs. | CB12-35 3 pcs. |
| | T=15 CB10-35 3 pcs. | CB12-40 3 pcs. |
| | T=20 — | CB12-45 3 pcs. |
| ④ | CB10-50 3 pcs. | CB12-55 3 pcs. |
| ⑤ | MSTM10-40 2 pcs. | MSTM13-50 2 pcs. |

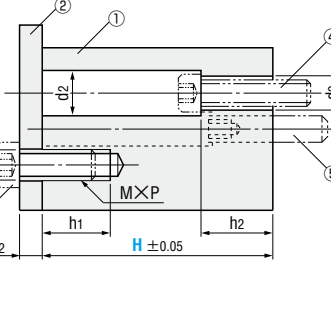
① **M** S45C
H 40~45HRC (Induction hardening)
 ② **M** S45C

KEPNZ (With oil grooves) RoHS





X-X' Cross section



Y-Y' Cross section

| ① Mounting block | | | | | | | | | | | | | ② Plate | | | | | | | |
|------------------|----|----------------|----------------|----------------|----------------|----------------|----------------|----------------|----------------|----------------|----------------|----------------|----------------|---------|----|----|----------------|----------------|----------------|----------------|
| A | B | a ₁ | a ₂ | b ₁ | b ₂ | b ₃ | d ₁ | d ₂ | d ₃ | d ₄ | h ₁ | h ₂ | h ₃ | M×P | C | D | a ₂ | b ₁ | b ₃ | d ₅ |
| 80 | 60 | 25 | 50 | 15 | 30 | 45 | 11 | 18 | 11 | 9.8 | 25 | 30 | 20 | 10×1.5 | 76 | 75 | 50 | 15 | 45 | 12 |
| 100 | 70 | 30 | 60 | 20 | 35 | 50 | 13 | 20 | 13 | 12.8 | 30 | 30 | 25 | 12×1.75 | 96 | 85 | 60 | 20 | 50 | 15 |

| Catalog No. | | | | Catalog No. | | | |
|-------------|-----|----|----|-------------|-----|-----|-----|
| Type | A | H | | Type | A | T | |
| KEPN | 80 | 50 | 60 | KEPNP | 80 | 10 | 15 |
| | | 70 | 80 | | | 100 | 120 |
| KEPNZ | 100 | 60 | 70 | (② only) | 100 | 10 | 15 |
| | | 70 | 80 | | | 100 | 120 |

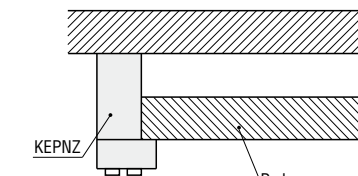
Order Catalog No. — H — T

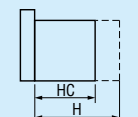
KEPNZ 80 — 50 — 10

Days to Ship Quotation


Price Quotation

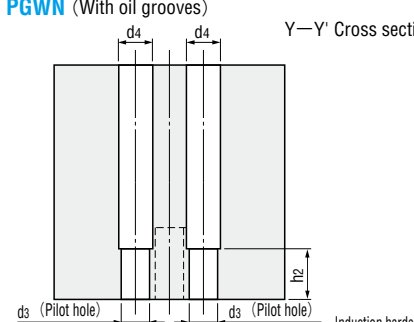
Example



| Alterations | Code | Spec. |
|---|------|---|
|  | HC | H dimension change Hmin.<HC<Hmax. 1mm increments ⊕ Can be used for KEPN and KEPNZ. ⊕ If (H-HC)<10... h ₂ , h ₃ is shortened by (H-HC). If 10≤(H-HC)<20... h ₂ , h ₃ is shortened by (H-HC-10). |

PGWN RoHS



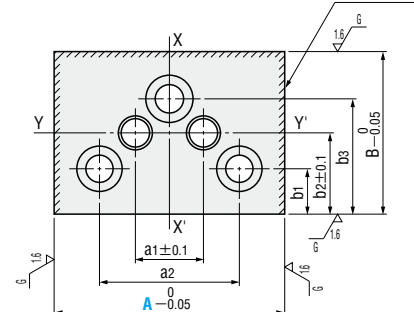


Y-Y' Cross section

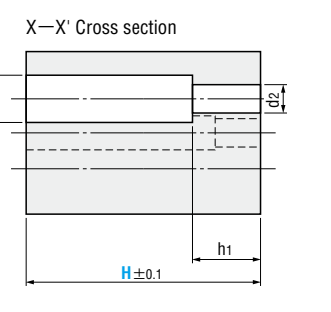
| PGWN80 | | PGWN100 | |
|-----------|--------|-----------|--------|
| CB10-50 | 3 pcs. | CB12-55 | 3 pcs. |
| MSTM10-40 | 2 pcs. | MSTM13-50 | 2 pcs. |

Ⓜ S45C
H 40~45HRC (Induction hardening)
 Ⓜ S45C

⊕ Each corner edge is chamfered to C0.2~0.5.



X-X' Cross section



Y-Y' Cross section

| A | B | a ₁ | a ₂ | b ₁ | b ₂ | b ₃ | d ₁ | d ₂ | d ₃ | d ₄ | h ₁ | h ₂ | Catalog No. | | | | | |
|-----|----|----------------|----------------|----------------|----------------|----------------|----------------|----------------|----------------|----------------|----------------|----------------|-------------|-----|----|-----|-----|-----|
| | | | | | | | | | | | | | Type | A | | | | |
| 80 | 60 | 25 | 50 | 15 | 30 | 45 | 18 | 11 | 9.8 | 12 | 30 | 20 | PGWN | 50 | 60 | | | |
| | | | | | | | | | | | | | | 70 | 80 | 100 | | |
| | | | | | | | | | | | | | | 120 | | | | |
| 100 | 70 | 30 | 60 | 20 | 35 | 50 | 20 | 13 | 12.8 | 15 | 30 | 25 | PGWN | 60 | 70 | 80 | 100 | 120 |

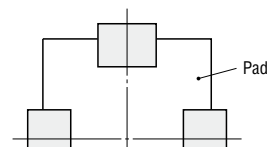
Order Catalog No. — H

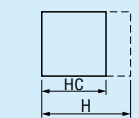
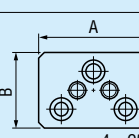
PGWN 80 — 50

Days to Ship Quotation

Price Quotation

Example



| Alterations | Code | Spec. |
|---|------|--|
|  | HC | H dimension change Hmin.<HC<Hmax. 1mm increments ⊕ If (H-HC)<10... h ₁ is shortened by (H-HC). If 10≤(H-HC)<20... h ₁ is shortened by (H-HC-10). |
|  | CC | Change to C5 for chamfering of 4 corner edges |