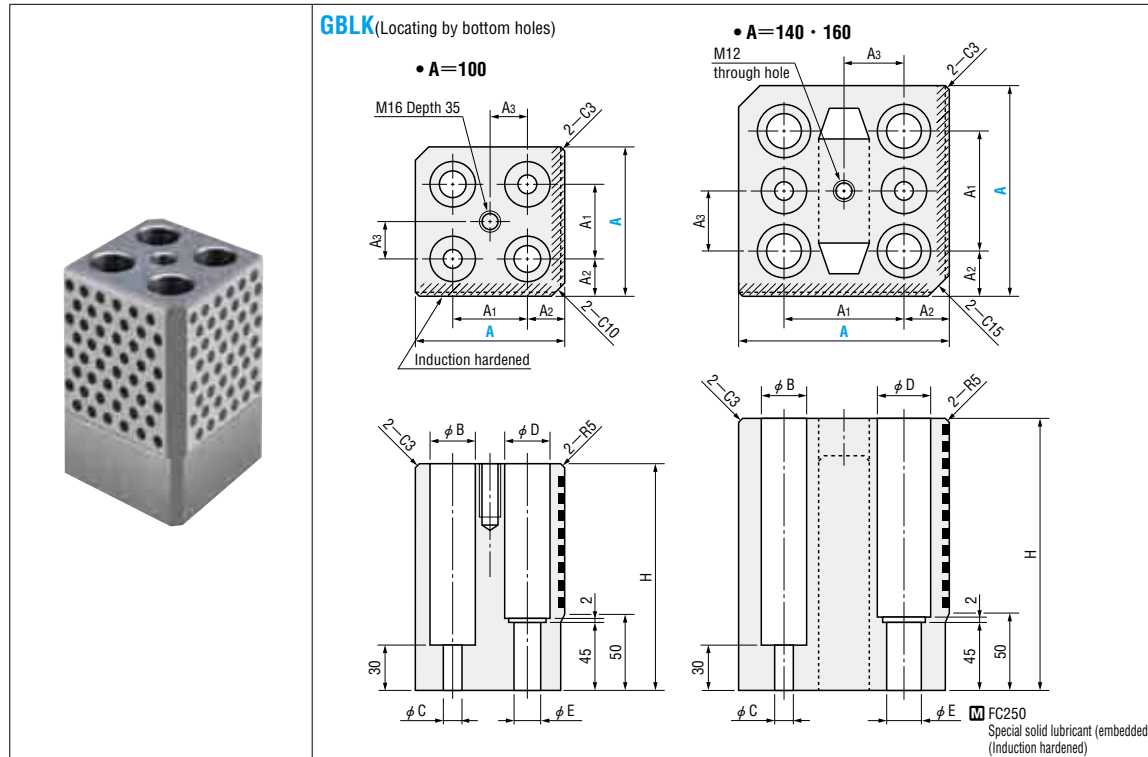


# OIL-FREE GUIDE BLOCKS FOR PADS

— CORNER GUIDE TYPE —

# OIL-FREE GUIDE BUSHINGS

— FLANGE TYPE —

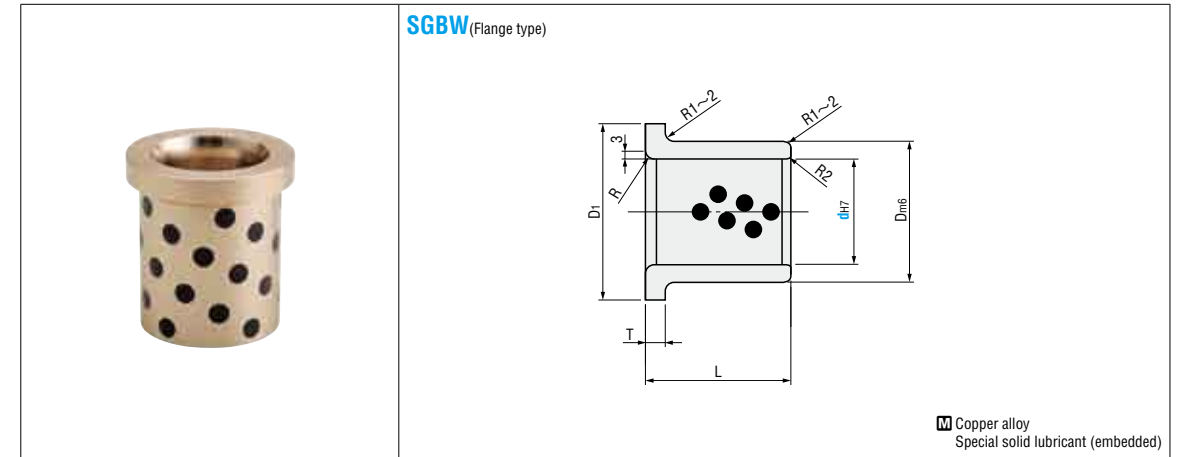


A1	A2	A3	φ B	φ C	φ D	φ E	H	Catalog No.	A
50	25	25	2-φ 31	2-φ 12	2-φ 31	2-φ 18	150	GBLK	100
80	30	40	2-φ 30	2-φ 12	4-φ 37	4-φ 22	180		140
100	30	50	2-φ 30	2-φ 12	4-φ 37	4-φ 22	200		160

Order

Days to Ship

Price



dH7		Dm6		D1	T	R	L	Catalog No.			
								Type	d		
25	+0.021 0	35	+0.025 +0.009	45	7	10	40	SGBW	25		
30	+0.025 0	40	+0.030 +0.011	50	10		50		30		
40		55		65			70		40		
50	+0.030 0	65	+0.035 +0.013	75		20	80		50		
60		75		85			60				
65	+0.035 0	80		90					120	65	
80		100		110					80		
100		120		130						100	80A
											100
											140

Order

Days to Ship

Price

GUIDING COMPONENTS FOR AUTOMOTIVE DIES