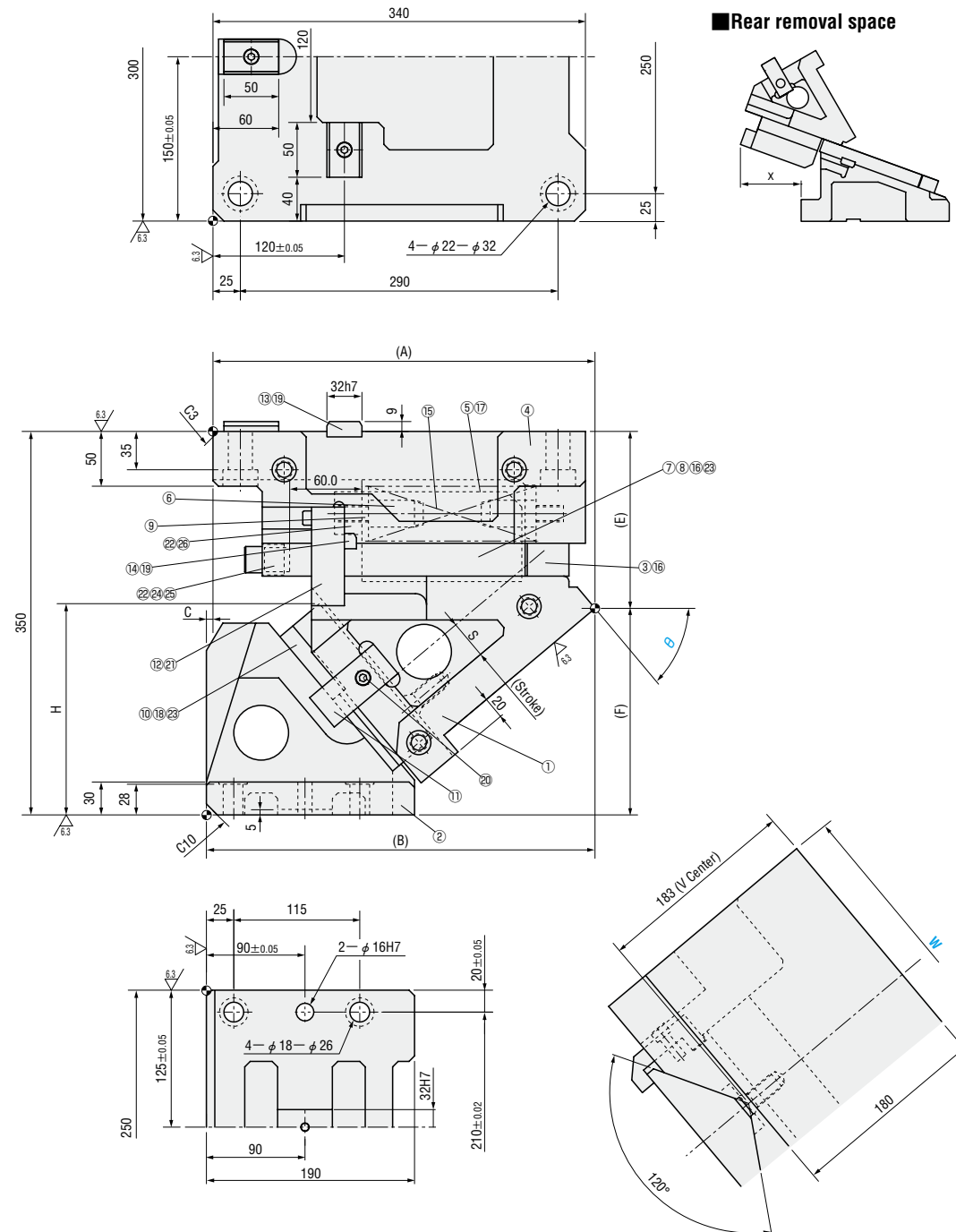


WIDE FLYING CAM UNITS FOR PIERCE

—MGFVW · MEVWN—



— With automatic alignment —
MGFVW300 ($\theta=50-60$)
 — Without automatic alignment —
MEVWN300 ($\theta=50-60$)
 (Economy type)



W	θ	A	B	C	E	F	H	x
300	50	348.77	354.77	6	161.49	188.51	192.8	126
	60	332.75	377.75	45	195.83	154.17	202.1	152

Slide Stroke S	Working force KN (tonf)		Spring load N (kgf)			Total weight kg	Catalog No.	W	θ
	Standard working force	Max. working force	Preload	5mm before bottom dead center	Max. load				
93.3	196.1 (20.0)	392.3 (40.0)	1634 (166.7)	9371 (955.5)	9806 (1000.0)	130.9	—With automatic alignment— MGFVW	300	50
120.0				9466 (965.3)					60

Order —

Days to Ship **Quotation**

Price **Quotation**

Alterations — — (N · K · FK)

Alterations	Code	Spec.
	N	Add dowel hole Add 2 ϕ 16H7 dowel holes on cam holder
	K	Add locating key (With 1 hexagon socket head cap screw M8×15)
	FK	Move key position Move forward the locating key on cam holder.