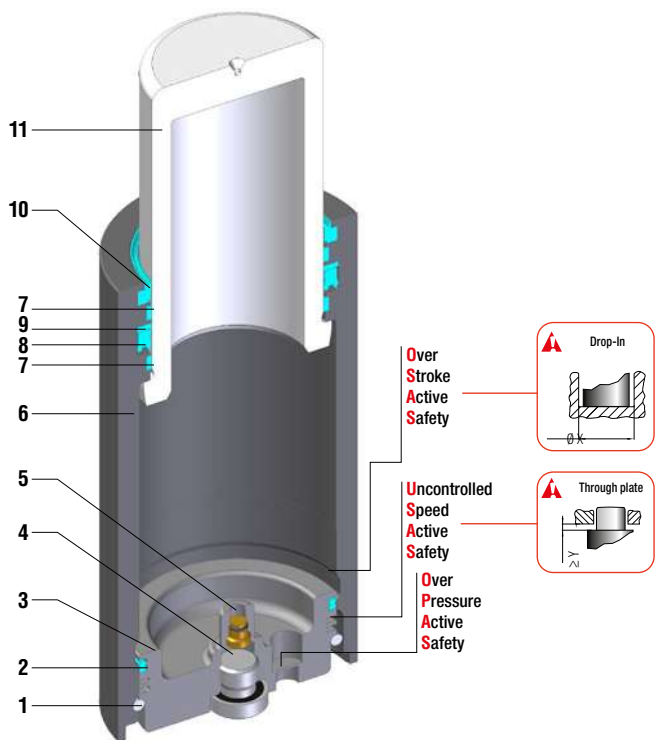


GSML series

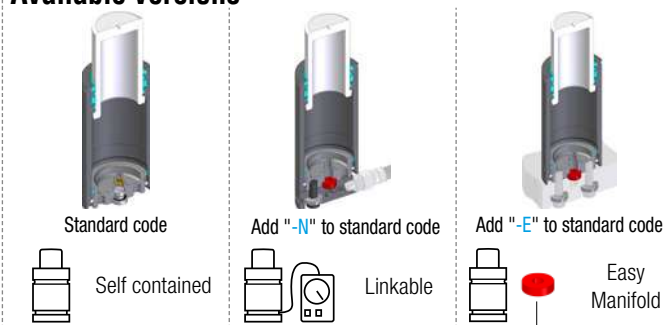
Maximum force, rod sealed - Maximale Kraft, Kolbenstange dichtung
 Forces maximale, joint de tige - Máxima fuerza, estanquidad vástago - Força máxima, estanquidade na haste



1	Retaining ring
2	Dual ring seal
3	Bottom base
4	Plug
5	Valve
6	Body
7	Guide ring
8	Rod seal
9	Back-up ring
10	Rod wiper
11	Rod (nitrited superfinished)

SEALING	ROD SEAL
DESIGN	BUSH - BODY DESIGN

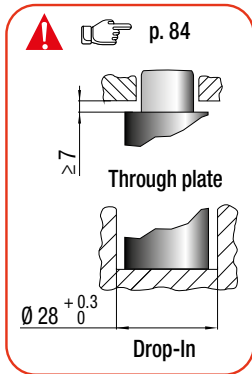
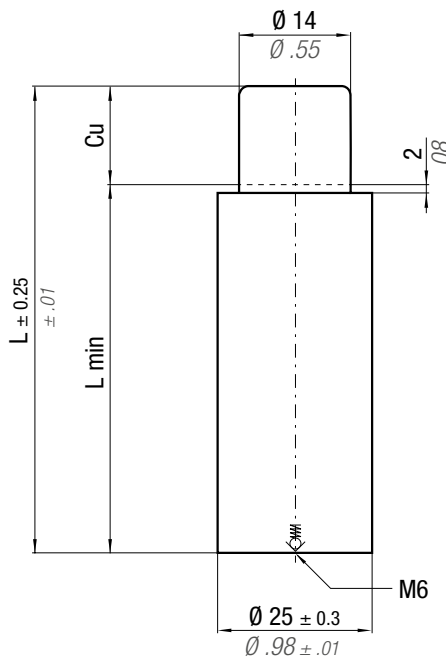
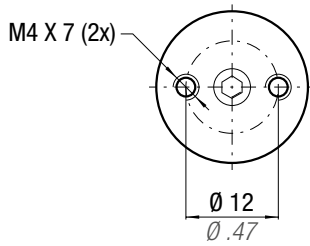
Available versions



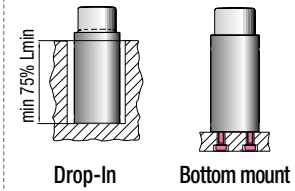
Order Callout Example:

GSML1800-50
GSML1800-50-N
GSML1800-50-E

Model	Body Ø		Stroke Cu		Initial force FO		OSAS	USAS	OPAS	SKUDO
	mm	inch	mm	inch	daN	lb				
GSML300	25	0.98	10 - 80	0.39 - 3.15	310	697	✓	✓	-	-
GSML500	32	1.26	10 - 80	0.39 - 3.15	510	1147	✓	✓	-	-
GSML1000	38	1.50	10 - 80	0.39 - 3.15	980	2203	✓	✓	✓	-
GSML1000N	38	1.50	10 - 80	0.39 - 3.15	980	2203	✓	✓	✓	-
GSML1800	50	1.97	15 - 80	0.59 - 3.15	1925	4327	✓	✓	✓	-
GSML1800N	50	1.97	15 - 80	0.59 - 3.15	1925	4327	✓	✓	✓	-
GSML3000	63	2.48	15 - 80	0.59 - 3.15	3180	11071	✓	✓	✓	-
GSML3000N	63	2.48	15 - 80	0.59 - 3.15	3180	11071	✓	✓	✓	-
GSML4700	75	2.95	15 - 80	0.59 - 3.15	4925	11071	✓	✓	✓	-
GSML4700N	75	2.95	15 - 80	0.59 - 3.15	4925	11071	✓	✓	✓	-
GSML7500	95	3.74	15 - 80	0.59 - 3.15	7700	17310	✓	✓	✓	-
GSML7500N	95	3.74	15 - 80	0.59 - 3.15	7700	17310	✓	✓	✓	-
GSML12000	120	4.72	15 - 80	0.59 - 3.15	12720	28595	✓	✓	✓	-
GSML12000N	120	4.72	15 - 80	0.59 - 3.15	12720	28595	✓	✓	✓	-



Fixings



* F_{1i} =

Isothermal end force at 100% Cu p. 16

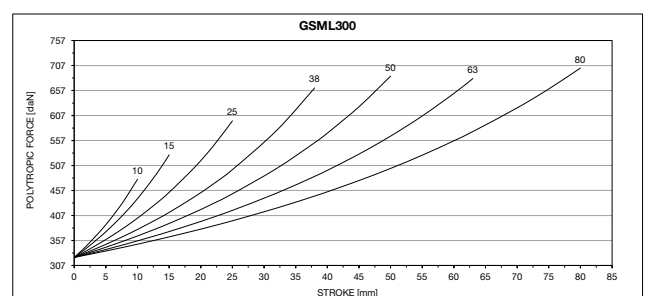
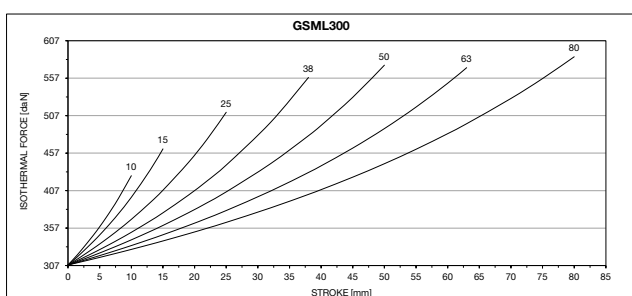
** F_{1p} =

Polytropic end force at 100% Cu

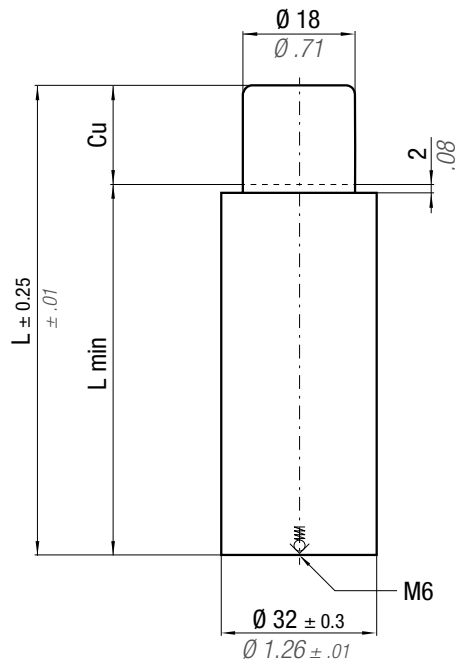
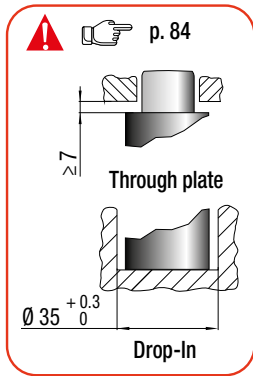
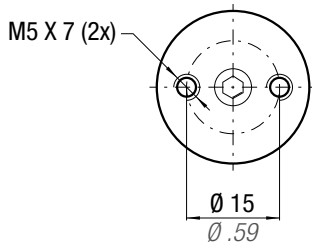
N ₂	°F 32 176	°C 0 80	ΔP ± 0.33 %/°C	P max 200 bar 2900 psi	P min 20 bar 290 psi	S 1.54 cm ² 0.239 in ²	SPM ~ 40 - 80 (at 20°C)	Max Speed 1.6 m/s	Maintenance kit Disposable											
CALLOUT				Cu	L	L min	F₀ Initial force	F_{1i} * End force *	F_{1p} ** End force **	V₀		PED 2014/68/EU								
				mm	inch	mm	inch	daN	lb	daN	lb	cm ³	in ³	~Kg	~lb					
GSML300-10				10	0.39	75	2.95	65	2.56	310	697	424	954	476	1070	7.0	0.43	0.17	0.37	✓
GSML300-15				15	0.59	85	3.35	70	2.76	± 5%		460	1034	524	1178	9.0	0.55	0.18	0.40	✓
GSML300-25				25	0.98	105	4.13	80	3.15			509	1143	592	1331	12.0	0.73	0.21	0.46	✓
GSML300-38				38	1.50	130	5.12	92	3.62	200 bar		555	1248	658	1479	16.0	0.98	0.24	0.53	✓
GSML300-50				50	1.97	155	6.10	105	4.13	2900 psi		572	1286	682	1533	20.0	1.22	0.27	0.60	✓
GSML300-63				63	2.48	185	7.28	122	4.80			569	1279	678	1524	26.0	1.59	0.31	0.68	✓
GSML300-80				80	3.15	220	8.66	140	5.51	+20 °C	+68 °F	584	1313	699	1571	32.0	1.95	0.35	0.77	✓

Order Callout Example:

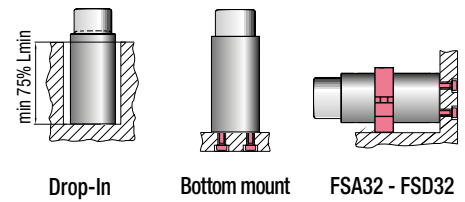
GSML300-50
GSML300-50-CP



GSML 500



Fixings



* F_{1i} =

Isothermal end force at 100% Cu



p. 16

** F_{1p} =

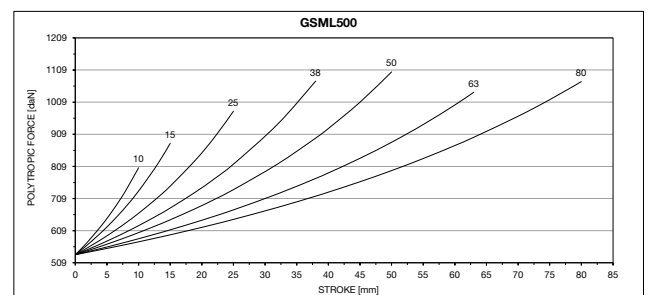
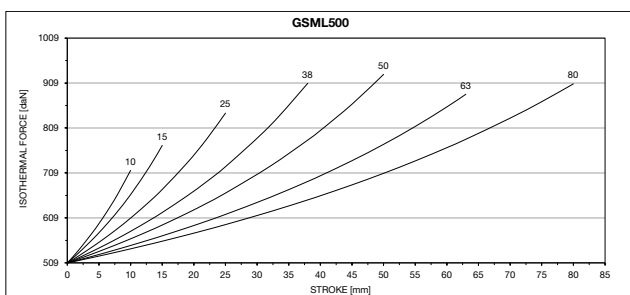
Polytropic end force at 100% Cu

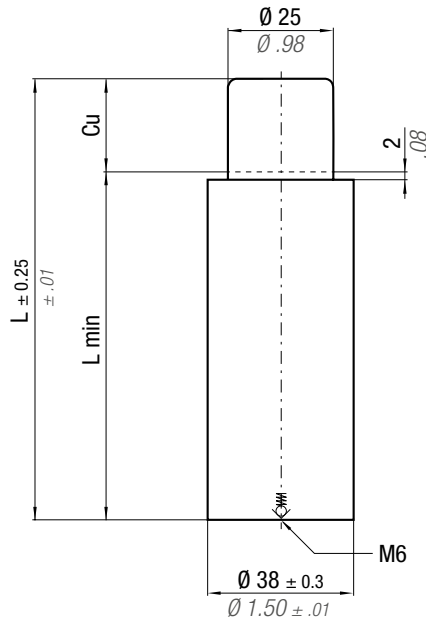
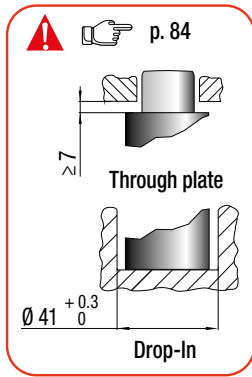
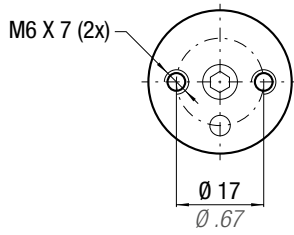


CALLOUT	Cu		L		L min		F ₀		F _{1i} *		F _{1p} **		V ₀		Maintenance kit		
	mm	inch	mm	inch	mm	inch	daN	lb	daN	lb	daN	lb	cm ³	in ³	~Kg	~lb	
GSML500-10	10	0.39	75	2.95	65	2.56	510 1147 ± 5% 200 bar 2900 psi +20 °C +68 °F		708	1592	796	1789	11.0	0.67	0.28	0.62	✓
GSML500-15	15	0.59	85	3.35	70	2.76			763	1715	871	1958	14.0	0.85	0.30	0.66	✓
GSML500-25	25	0.98	105	4.13	80	3.15			835	1877	971	2183	20.0	1.22	0.34	0.75	✓
GSML500-38	38	1.50	130	5.12	92	3.62			902	2028	1065	2394	27.0	1.65	0.39	0.86	✓
GSML500-50	50	1.97	155	6.10	105	4.13			923	2075	1095	2462	35.0	2.14	0.43	0.95	✓
GSML500-63	63	2.48	190	7.48	127	5.00			881	1981	1035	2327	47.0	2.87	0.51	1.12	✓
GSML500-80	80	3.15	225	8.86	145	5.71			904	2032	1069	2403	57.0	3.48	0.57	1.26	✓

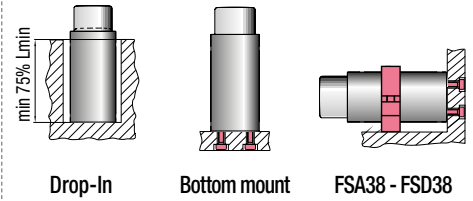
Order Callout Example:

GSML500-50
GSML500-50-CP





Fixings



* F_{1i} =

Isothermal end force at 100% Cu



p. 16



** F_{1p} =

Polytropic end force at 100% Cu

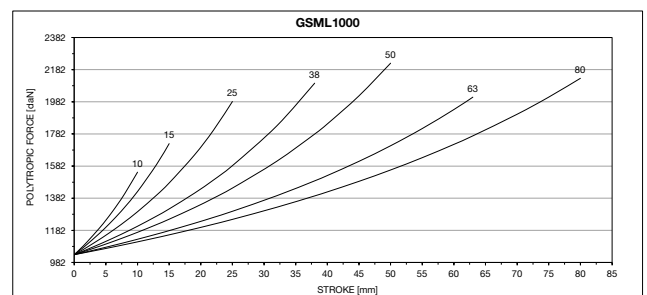
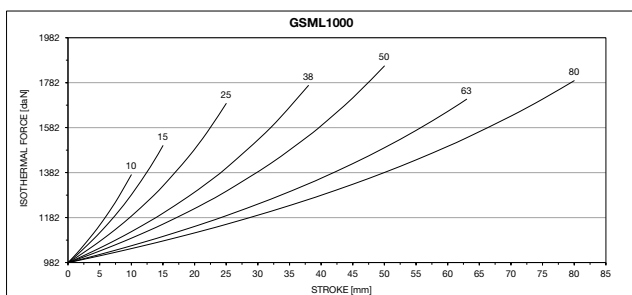


	$^{\circ}\text{F}$ 32 -176	$^{\circ}\text{C}$ 0 -80	ΔP $\pm 0.33\% / ^{\circ}\text{C}$	P max 200 bar 2900 psi	P min 20 bar 290 psi	S 4.91 cm ² 0.761 in ²	SPM ~ 40 - 80 (at 20°C)	Max Speed 1.6 m/s	Maintenance kit GSRK-39BMML01000C
--	----------------------------------	--------------------------------	---	-------------------------------------	-----------------------------------	---	--------------------------------------	-----------------------------	---

CALLOUT	Cu		L		L min		F ₀		F _{1i} *		F _{1p} **		V ₀		~Kg ~lb		PED 2014/68/EU
	mm	inch	mm	inch	mm	inch	daN	lb	daN	lb	daN	lb	cm ³	in ³			
GSML1000-10	10	0.39	75	2.95	65	2.56	980	2203	1371	3081	1542	3467	22.0	1.34	0.37	0.82	✓
GSML1000-15	15	0.59	85	3.35	70	2.76	± 5%		1500	3372	1719	3864	27.0	1.65	0.39	0.86	✓
GSML1000-25	25	0.98	105	4.13	80	3.15			1687	3793	1981	4453	36.0	2.20	0.45	0.99	✓
GSML1000-38	38	1.50	135	5.31	97	3.82	200 bar		1768	3974	2095	4710	52.0	3.17	0.53	1.17	✓
GSML1000-50	50	1.97	160	6.30	110	4.33	2900 psi		1854	4169	2220	4991	64.0	3.90	0.60	1.32	✓
GSML1000-63	63	2.48	205	8.07	142	5.59	+20 °C +68 °F		1708	3839	2010	4519	90.0	5.49	0.73	1.61	✓
GSML1000-80	80	3.15	240	9.45	160	6.30			1790	4024	2127	4782	107.0	6.53	0.82	1.81	✓

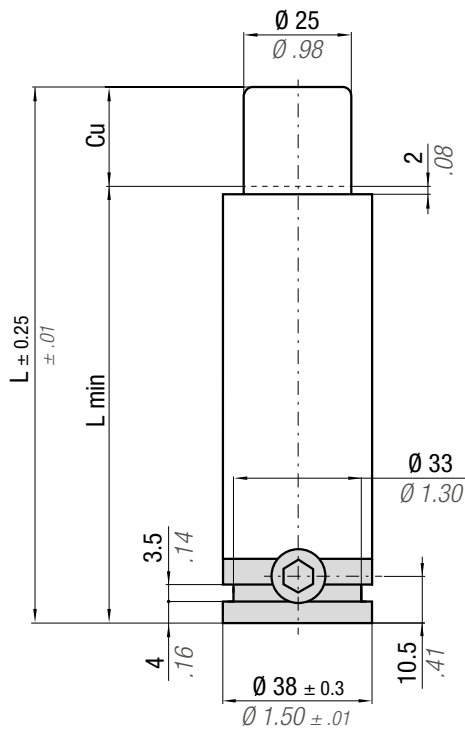
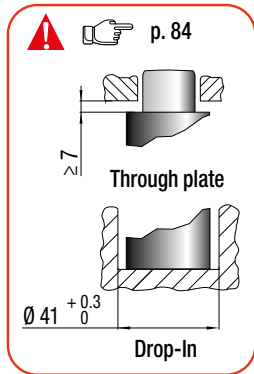
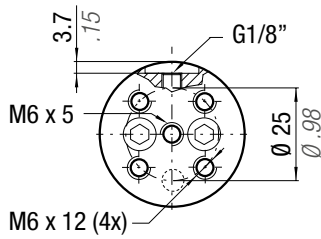
Order Callout Example:

GSML1000-50
GSML1000-50-CP

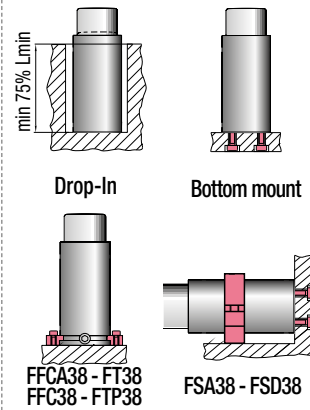


GSML 1000 N

—Linkable G1/8"—



Fixings



* F_{1i} =

Isothermal end force at 100% Cu

** F_{1p} =

Polytropic end force at 100% Cu

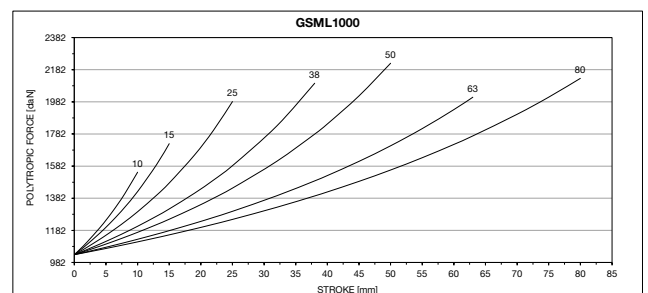
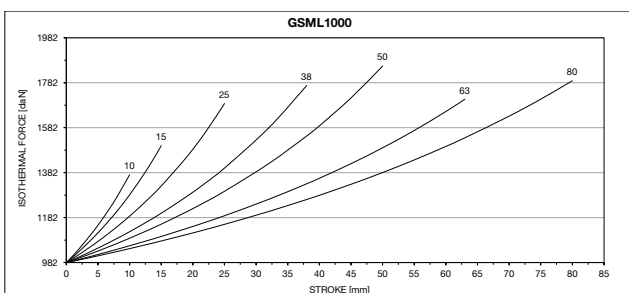
ISO p. 16

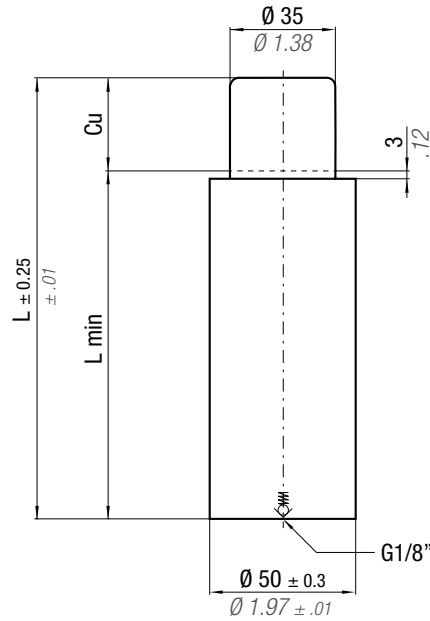
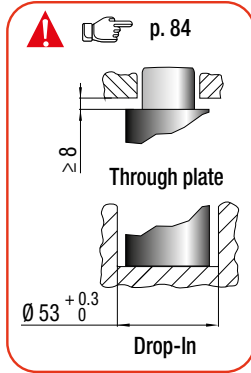
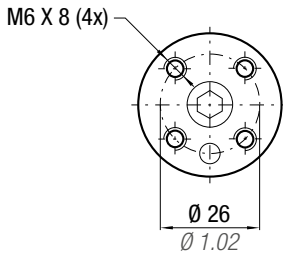
ISO p. 16

	$^{\circ}\text{F}$ 32 176	$^{\circ}\text{C}$ 0 80	ΔP $\pm 0.33\% / ^{\circ}\text{C}$	P max 200 bar 2900 psi	P min 20 bar 290 psi	S 4.91 cm ² 0.761 in ²	SPM ~ 40 - 80 (at 20°C)	Max Speed 1.6 m/s	Maintenance kit 39BMML01000C
--	---------------------------------	-------------------------------	---	-------------------------------------	-----------------------------------	---	--------------------------------------	-----------------------------	--

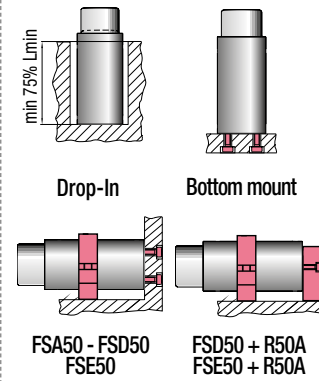
CALLOUT	Cu		L		L min		F ₀		F _{1i} *		F _{1p} **		V ₀		PED 2014/68/EU		
	mm	inch	mm	inch	mm	inch	daN	lb	daN	lb	daN	lb	cm ³	in ³		~Kg	~lb
GSML1000-10-N	10	0.39	95	3.74	85	3.35	980	2203	1371	3081	1542	3467	22.0	1.34	0.52	1.15	✓
GSML1000-15-N	15	0.59	105	4.13	90	3.54	± 5%	200 bar 2900 psi	1500	3372	1719	3864	27.0	1.65	0.55	1.21	✓
GSML1000-25-N	25	0.98	125	4.92	100	3.94			1687	3793	1981	4453	36.0	2.20	0.60	1.32	✓
GSML1000-38-N	38	1.50	155	6.10	117	4.61	1768	3974	2095	4710	52.0	3.17	0.68	1.50	✓		
GSML1000-50-N	50	1.97	180	7.09	130	5.12	1854	4169	2220	4991	64.0	3.90	0.75	1.65	✓		
GSML1000-63-N	63	2.48	225	8.86	162	6.38	1708	3839	2010	4519	90.0	5.49	0.88	1.94	✓		
GSML1000-80-N	80	3.15	260	10.24	180	7.09	1790	4024	2127	4782	107.0	6.53	0.98	2.16	✓		

Order Callout Example:
GSML1000-50-N





Fixings



* F_{1i} =

Isothermal end force at 100% Cu

** F_{1p} =

Polytropic end force at 100% Cu

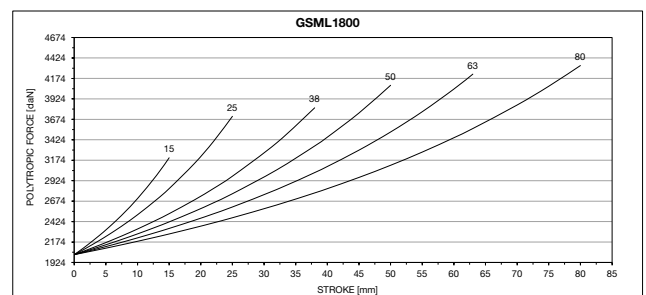
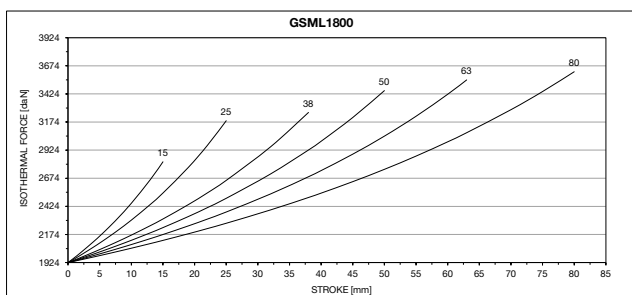
p. 16

p. 16

CALLOUT	Cu		L		L min		F ₀		F _{1i} *		F _{1p} **		V ₀		Maintenance kit		
	mm	inch	mm	inch	mm	inch	daN	lb	daN	lb	daN	lb	cm ³	in ³	~Kg	~lb	
GSML1800-15	15	0.59	95	3.74	80	3.15	1925	4327	2818	6334	3200	7194	57.0	3.48	0.76	1.68	✓
GSML1800-25	25	0.98	115	4.53	90	3.54	± 5%		3182	7154	3706	8331	75.0	4.58	0.85	1.87	✓
GSML1800-38	38	1.50	150	5.91	112	4.41	200 bar		3257	7321	3811	8567	111.0	6.77	1.01	2.23	✓
GSML1800-50	50	1.97	175	6.89	125	4.92	2900 psi		3451	7758	4087	9188	134.0	8.17	1.12	2.47	✓
GSML1800-63	63	2.48	205	8.07	142	5.59			3546	7972	4224	9496	163.0	9.94	1.26	2.78	✓
GSML1800-80	80	3.15	245	9.65	165	6.50	+20 °C +68 °F		3619	8136	4329	9732	201.0	12.26	1.44	3.17	✓

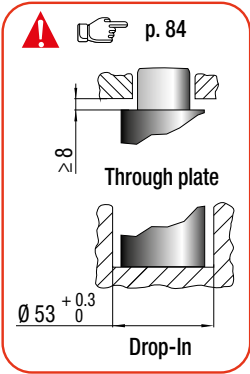
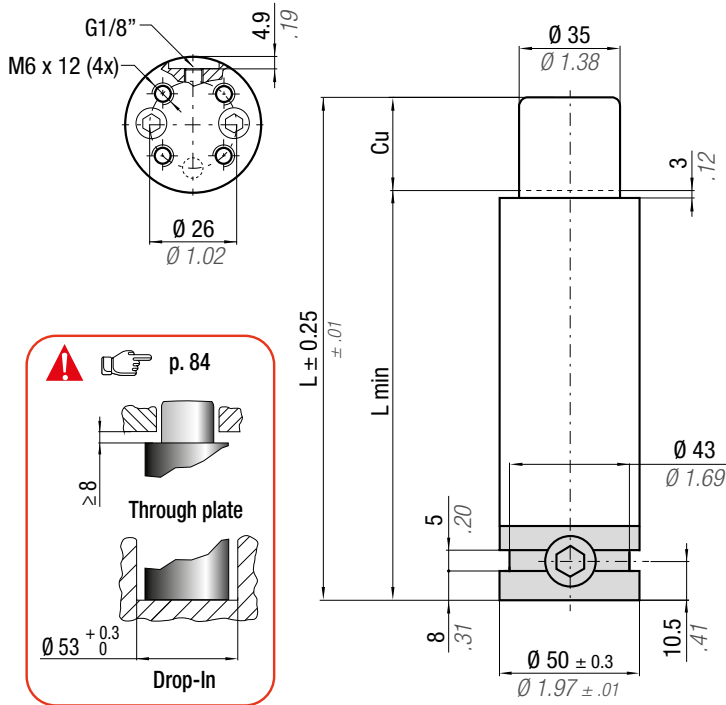
Order Callout Example:

GSML1800-50
GSML1800-50-CP

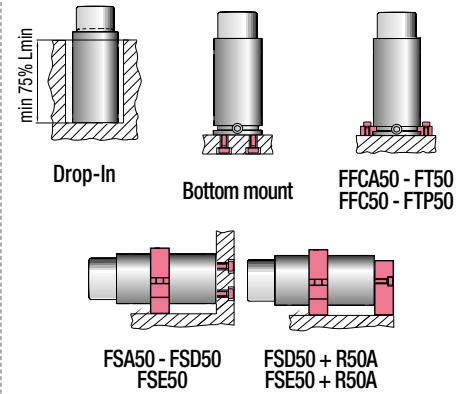


GSML 1800 N

—Linkable G1/8"—



Fixings



* F_{1i} =

Isothermal end force at 100% Cu

** F_{1p} =

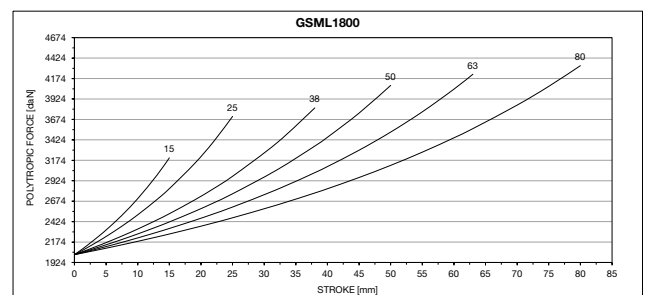
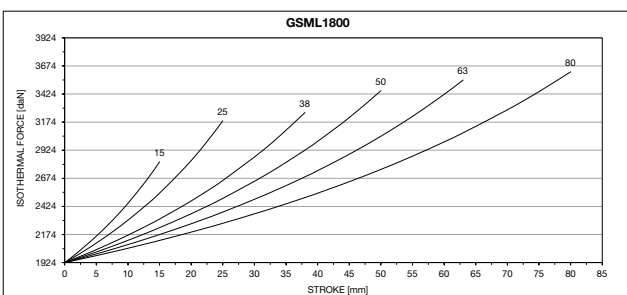
Polytropic end force at 100% Cu

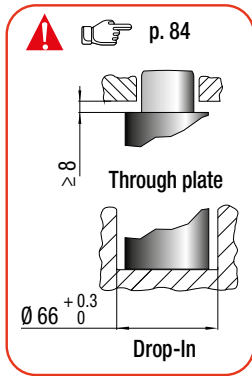
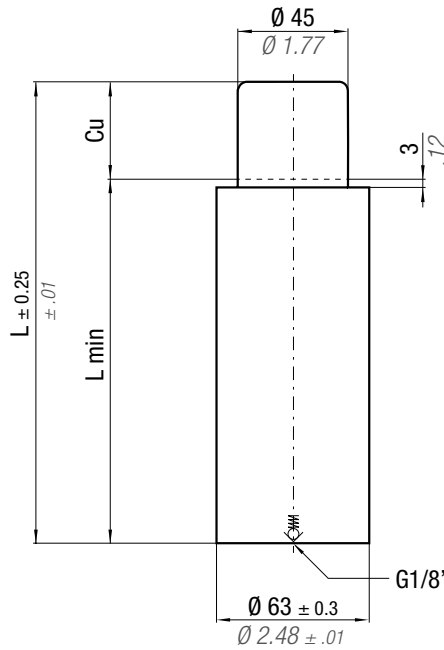
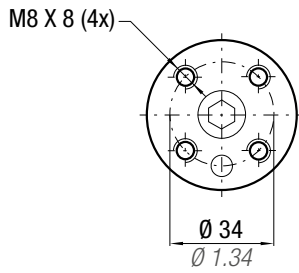
p. 16

	$^{\circ}\text{F}$ 32 - 176	$^{\circ}\text{C}$ 0 - 80	ΔP $\pm 0.33\% / ^{\circ}\text{C}$	P max 200 bar 2900 psi	P min 20 bar 290 psi	S 9.62 cm ² 1.491 in ²	SPM ~ 40 - 80 (at 20°C)	Max Speed 1.6 m/s	Maintenance kit GSRK-39BMML01800C
--	--------------------------------------	------------------------------------	---	-------------------------------------	-----------------------------------	---	--------------------------------------	-----------------------------	---

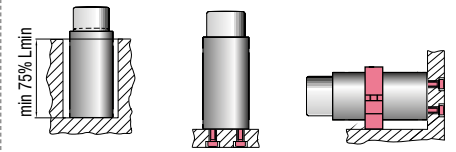
CALLOUT	Cu		L		L min		F ₀		F _{1i} *		F _{1p} **		V ₀		~Kg		~lb		PED 2014/68/EU										
	mm	inch	mm	inch	mm	inch	daN	lb	daN	lb	daN	lb	cm ³	in ³															
GSML1800-15-N	15	0.59	115	4.53	100	3.94	1925	4327	2818	6334	3200	7194	57.0	3.48	1.03	2.27	✓	✓	✓										
GSML1800-25-N	25	0.98	135	5.31	110	4.33														± 5%	3182	7154	3706	8331	75.0	4.58	1.12	2.47	✓
GSML1800-38-N	38	1.50	170	6.69	132	5.20														200 bar	3257	7321	3811	8567	111.0	6.77	1.28	2.82	✓
GSML1800-50-N	50	1.97	195	7.68	145	5.71														2900 psi	3451	7758	4087	9188	134.0	8.17	1.39	3.06	✓
GSML1800-63-N	63	2.48	225	8.86	162	6.38														+20 °C	3546	7972	4224	9496	163.0	9.94	1.53	3.37	✓
GSML1800-80-N	80	3.15	265	10.43	185	7.28														+68 °F	3619	8136	4329	9732	201.0	12.26	1.71	3.77	✓

Order Callout Example:
GSML1800-50-N





Fixings



Drop-In Bottom mount FSC63 - FSD63

* F_{1i} =

Isothermal end force at 100% Cu



p. 16

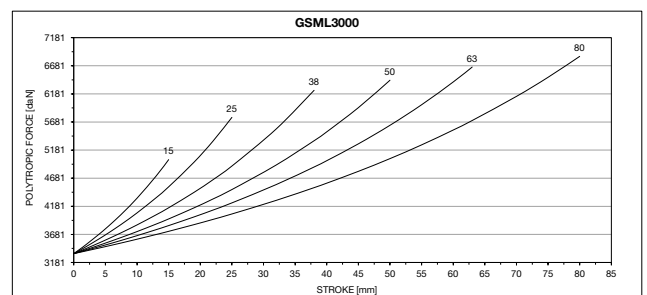
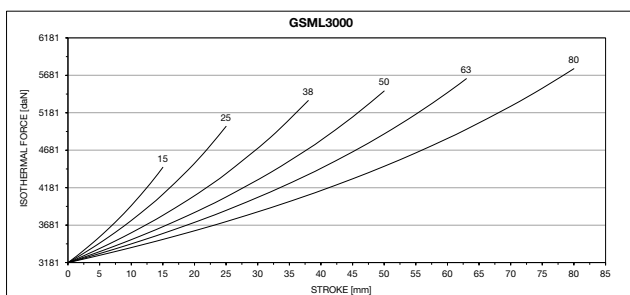


** F_{1p} =

Polytropic end force at 100% Cu

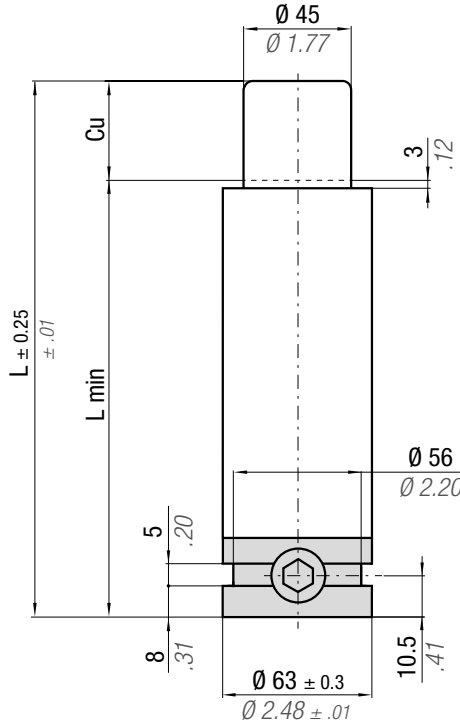
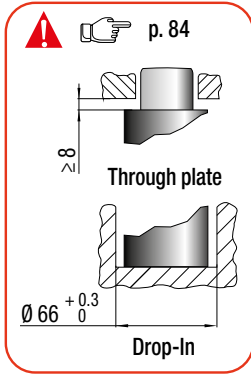
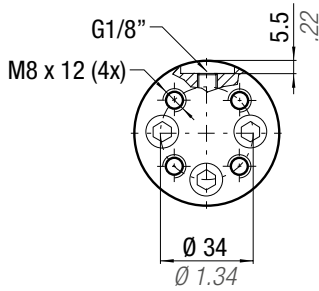
CALLOUT	Cu		L		L min		F ₀		F _{1i} *		F _{1p} **		V ₀		Maintenance kit		
	mm	inch	mm	inch	mm	inch	daN	lb	daN	lb	daN	lb	cm ³	in ³	~Kg	~lb	
GSML3000-15	15	0.59	100	3.94	85	3.35	3180	7149	4450	10003	5007	11256	106.0	6.47	1.25	2.76	✓
GSML3000-25	25	0.98	120	4.72	95	3.74	± 5%		4996	11231	5757	12942	136.0	8.30	1.38	3.04	✓
GSML3000-38	38	1.50	150	5.91	112	4.41	200 bar		5340	12005	6239	14026	185.0	11.29	1.57	3.46	✓
GSML3000-50	50	1.97	180	7.09	130	5.12	2900 psi		5468	12292	6419	14430	235.0	14.34	1.78	3.92	✓
GSML3000-63	63	2.48	210	8.27	147	5.79			5633	12664	6654	14959	283.0	17.26	1.98	4.37	✓
GSML3000-80	80	3.15	250	9.84	170	6.69	+20 °C	+68 °F	5766	12963	6844	15386	349.0	21.29	2.24	4.94	✓

Order Callout Example:
GSML3000-50
GSML3000-50-CP

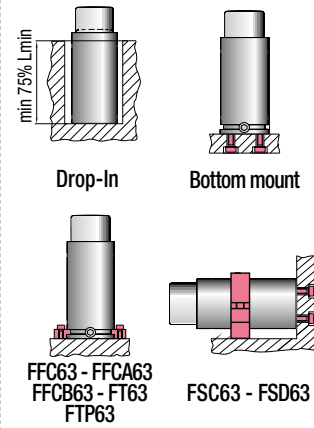


GSML 3000 N

—Linkable G1/8" —



Fixings



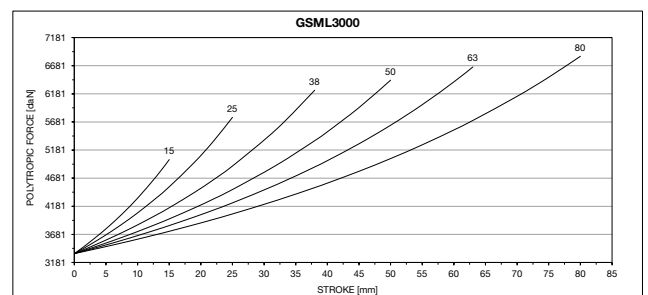
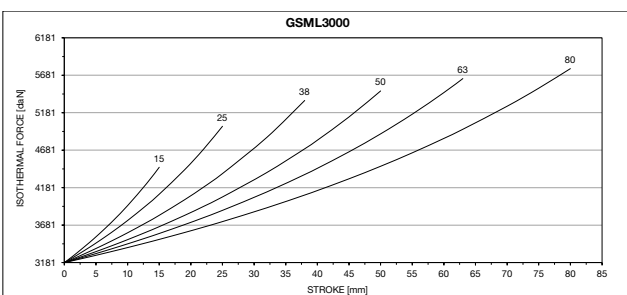
* F_{1i} =
Isothermal
end force
at 100% Cu

** F_{1p} =
Polytropic
end force
at 100% Cu

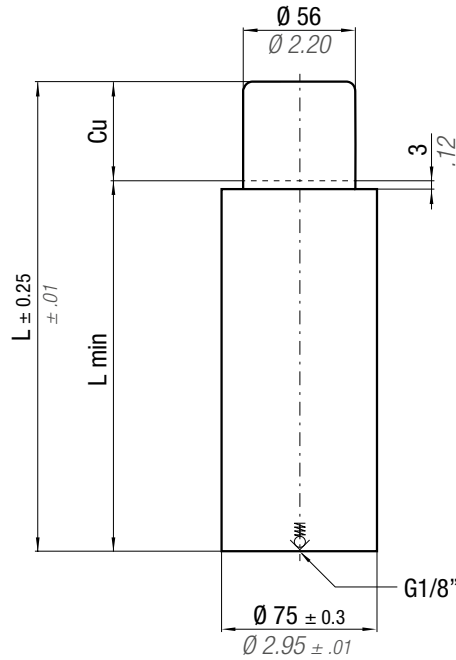
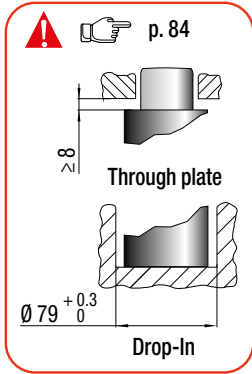
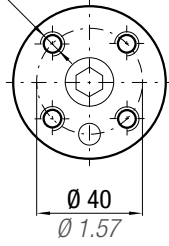
	$^{\circ}\text{F}$ 32 176	$^{\circ}\text{C}$ 0 80	ΔP $\pm 0.33\% / ^{\circ}\text{C}$	P max 200 bar 2900 psi	P min 20 bar 290 psi	S 15.90 cm ² 2.464 in ²	SPM ~ 40 - 80 (at 20°C)	Max Speed 1.6 m/s	Maintenance kit GSRK-39BMML03000B
--	---------------------------------	-------------------------------	---	-------------------------------------	-----------------------------------	--	--------------------------------------	-----------------------------	---

CALLOUT	Cu		L		L min		F ₀		F _{1i} *		F _{1p} **		V ₀		~Kg	~lb	PED 2014/68/EU
	mm	inch	mm	inch	mm	inch	daN	lb	daN	lb	daN	lb	cm ³	in ³			
GSML3000-15-N	15	0.59	120	4.72	105	4.13	3180	7149	4450	10003	5007	11256	106.0	6.47	1.67	3.68	✓
GSML3000-25-N	25	0.98	140	5.51	115	4.53	± 5%	200 bar 2900 psi	4996	11231	5757	12942	136.0	8.30	1.80	3.97	✓
GSML3000-38-N	38	1.50	170	6.69	132	5.20			5340	12005	6239	14026	185.0	11.29	2.00	4.41	✓
GSML3000-50-N	50	1.97	200	7.87	150	5.91	5468	12292	6419	14430	235.0	14.34	2.20	4.85	✓		
GSML3000-63-N	63	2.48	230	9.06	167	6.57	5633	12664	6654	14959	283.0	17.26	2.40	5.29	✓		
GSML3000-80-N	80	3.15	270	10.63	190	7.48	+20 °C	+68 °F	5766	12963	6844	15386	349.0	21.29	2.66	5.86	✓

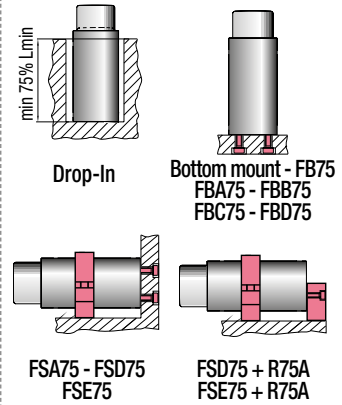
Order Callout Example:
GSML3000-50-N



M8 X 8 (4x)



Fixings



* F_{1i} =




Isothermal end force at 100% Cu

** F_{1p} =

Polytropic end force at 100% Cu

p. 16

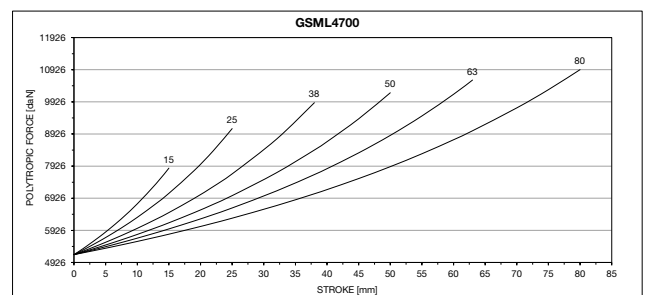
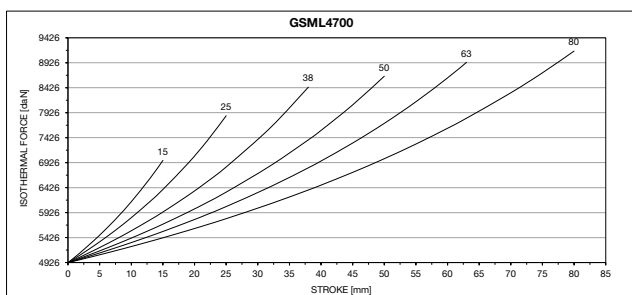
p. 16

 N ₂	°F 32 -176	°C 0 -80	ΔP ± 0.33 %/°C	P max 200 bar 2900 psi	P min 20 bar 290 psi	S 24.63 cm ² 3.817 in ²	SPM ~ 30 - 70 (at 20°C)	Max Speed 1.6 m/s	Maintenance kit GSRK-39BMMML04700C								
CALLOUT	Cu		L		L min		F ₀ Initial force		F _{1i} * End force *		F _{1p} ** End force **		V ₀				
	mm	inch	mm	inch	mm	inch	daN	lb	daN	lb	daN	lb	cm ³	in ³	~Kg	~lb	2014/68/EU
GSML4700-15	15	0.59	100	3.94	85	3.35	4925	11071	6966	15660	7856	17661	159.0	9.70	1.72	3.79	✓
GSML4700-25	25	0.98	120	4.72	95	3.74	± 5%	200 bar 2900 psi	7858	17665	9085	20424	205.0	12.51	1.90	4.19	✓
GSML4700-38	38	1.5	150	5.91	112	4.41			8432	18956	9891	22236	278.0	16.96	2.17	4.78	✓
GSML4700-50	50	1.97	180	7.09	130	5.12	8651	19448	10201	22933	353.0	21.53	2.44	5.38	✓		
GSML4700-63	63	2.48	210	8.27	147	5.79	8929	20073	10598	23825	425.0	25.93	2.72	6.00	✓		
GSML4700-80	80	3.15	250	9.84	170	6.69	+20 °C +68 °F	9155	20581	10922	24554	523.0	31.90	3.08	6.79	✓	

Order Callout Example:

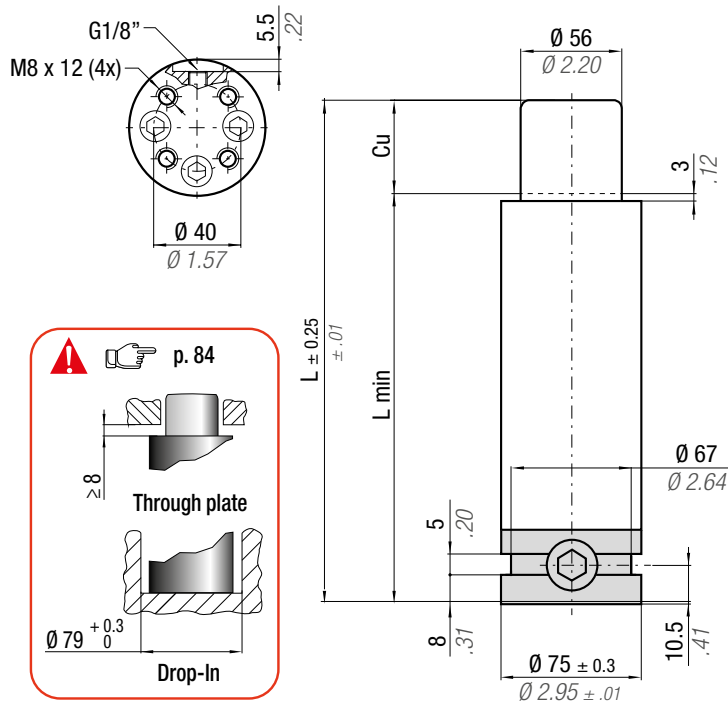
GSML4700-50

GSML4700-50-CP

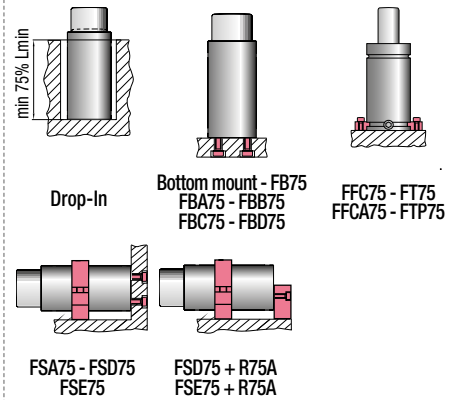


GSML 4700 N

—Linkable G1/8"—



Fixings



* F_{1i} =

Isothermal
end force
at 100% Cu

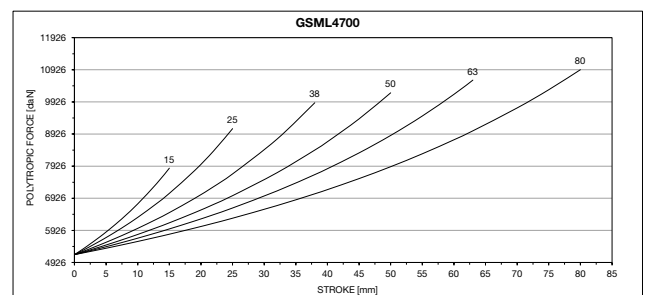
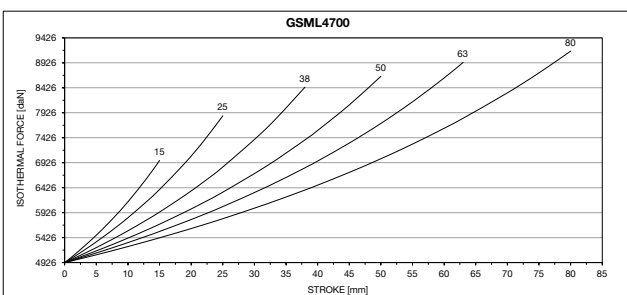
** F_{1p} =

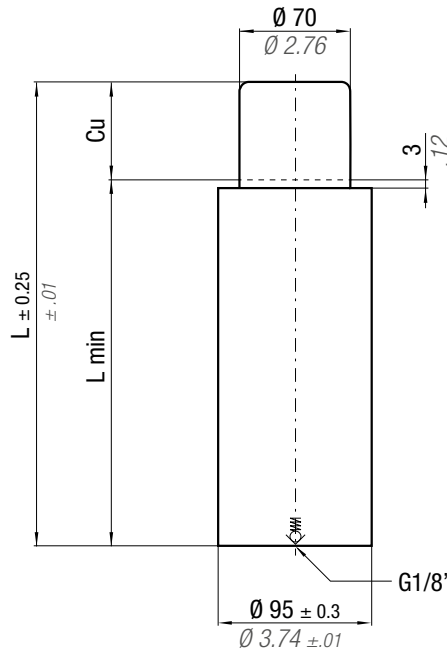
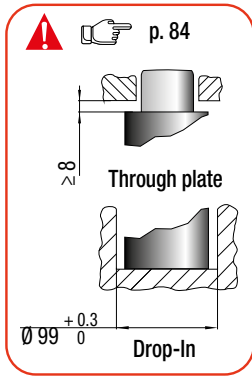
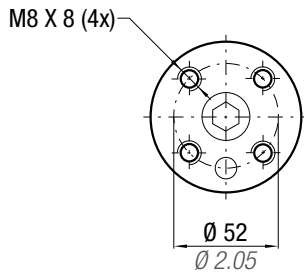
Polytropic
end force
at 100% Cu

p. 16

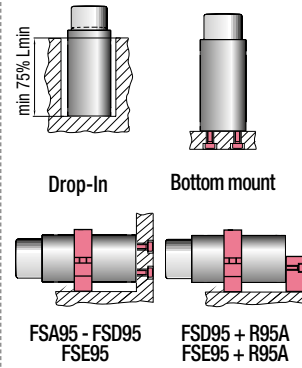
N ₂	°F 32 - 176	°C 0 - 80	ΔP ± 0.33 %/°C	P max 200 bar 2900 psi	P min 20 bar 290 psi	S 24.63 cm ² 3.817 in ²	SPM ~ 30 - 70 (at 20°C)	Max Speed 1.6 m/s	Maintenance kit GSRK-39BMML04700C								
CALLOUT	Cu		L		L min		F ₀		F _{1i} *		F _{1p} **		V ₀				
	mm	inch	mm	inch	mm	inch	Initial force daN	lb	End force daN	lb	End force daN	lb	cm ³	in ³		~Kg	~lb
GSML4700-15-N	15	0.59	120	4.72	105	4.13	4925	11071	6966	15660	7856	17661	159.0	9.70	2.34	5.16	✓
GSML4700-25-N	25	0.98	140	5.51	115	4.53	± 5%		7858	17665	9085	20424	205.0	12.51	2.51	5.53	✓
GSML4700-38-N	38	1.50	170	6.69	132	5.20	200 bar		8432	18956	9891	22236	278.0	16.96	2.75	6.06	✓
GSML4700-50-N	50	1.97	200	7.87	150	5.91	2900 psi		8651	19448	10201	22933	353.0	21.53	3.06	6.75	✓
GSML4700-63-N	63	2.48	230	9.06	167	6.57			8929	20073	10598	23825	425.0	25.93	3.33	7.34	✓
GSML4700-80-N	80	3.15	270	10.63	190	7.48	+20°C	+68°F	9155	20581	10922	24554	523.0	31.90	3.70	8.16	✓

Order Callout Example:
GSML4700-50-N





Fixings



* F_{1i} =

Isothermal end force at 100% Cu



p. 16

** F_{1p} =

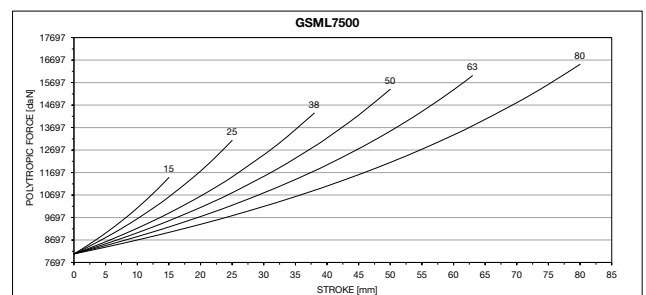
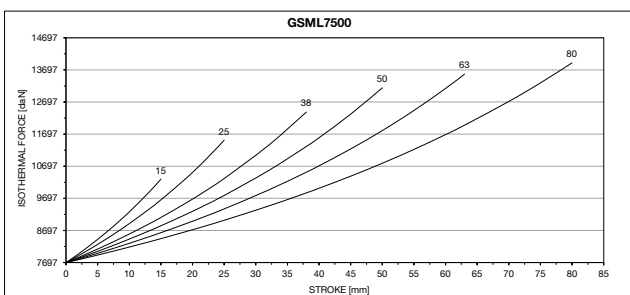
Polytropic end force at 100% Cu



	°F 32 - 176	°C 0 - 80	ΔP ± 0.33 %/°C	P max 200 bar 2900 psi	P min 20 bar 290 psi	S 38.48 cm ² 5.964 in ²	SPM ~ 20 - 60 (at 20°C)	Max Speed 1.6 m/s	Maintenance kit GSRK-39BMML07500C
--	----------------------	--------------------	---------------------------	-------------------------------------	-----------------------------------	--	--------------------------------------	-----------------------------	---

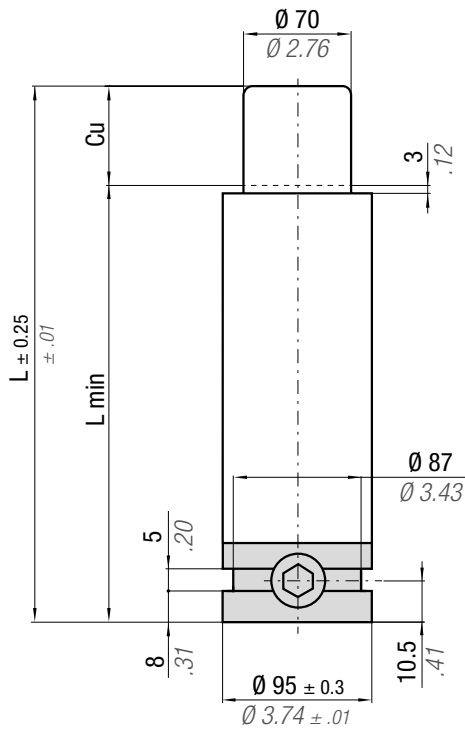
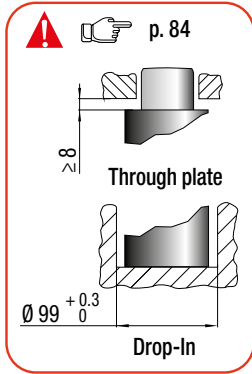
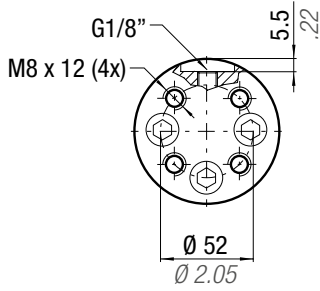
CALLOUT	Cu		L		L min		Fo Initial force		F _{1i} * End force		F _{1p} ** End force		Vo		PED 2014/68/EU		
	mm	inch	mm	inch	mm	inch	daN	lb	daN	lb	daN	lb	cm ³	in ³	~Kg	~lb	✓
GSML7500-15	15	0.59	115	4.53	100	3.94	7700	17310	10289	23131	11469	25783	291.0	17.75	3.30	7.28	✓
GSML7500-25	25	0.98	135	5.31	110	4.33	± 5%		11499	25851	13116	29486	365.0	22.27	3.58	7.89	✓
GSML7500-38	38	1.50	165	6.50	127	5.00	200 bar		12377	27825	14333	32222	481.0	29.34	4.01	8.84	✓
GSML7500-50	50	1.97	190	7.48	140	5.51	2900 psi		13130	29517	15391	34600	575.0	35.08	4.36	9.61	✓
GSML7500-63	63	2.48	220	8.66	157	6.18			13557	30477	15996	35960	691.0	42.15	4.75	10.47	✓
GSML7500-80	80	3.15	260	10.24	180	7.09	+20 °C	+68 °F	13910	31271	16500	37093	874.0	53.31	5.36	11.82	✓

Order Callout Example:
GSML7500-50
GSML7500-50-CP

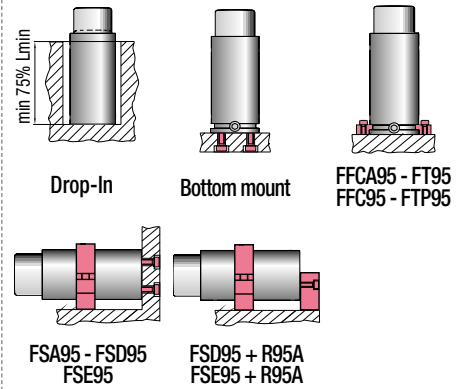


GSML 7500 N

—Linkable G1/8"—



Fixings



* F_{1i} =
Isothermal
end force
at 100% Cu



p. 16

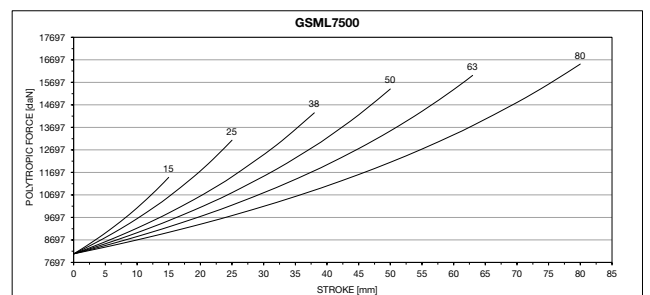
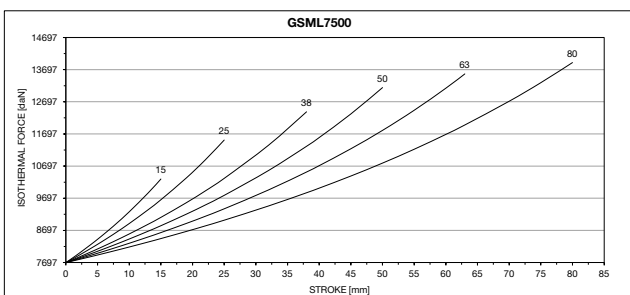


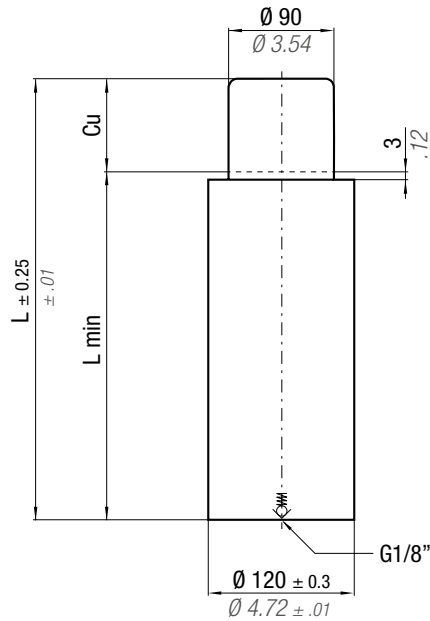
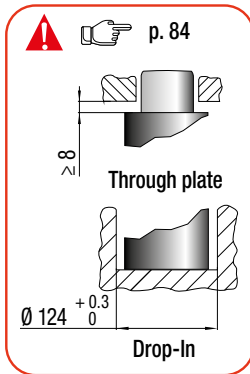
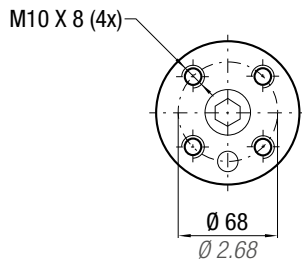
** F_{1p} =
Polytropic
end force
at 100% Cu

	$^{\circ}\text{F}$ 32 176	$^{\circ}\text{C}$ 0 80	ΔP $\pm 0.33\% / ^{\circ}\text{C}$	P max 200 bar 2900 psi	P min 20 bar 290 psi	S 38.48 cm ² 5.964 in ²	SPM ~ 20 - 60 (at 20°C)	Max Speed 1.6 m/s	Maintenance kit GSRK-39BMML07500C
--	---------------------------------	-------------------------------	---	-------------------------------------	-----------------------------------	--	--------------------------------------	-----------------------------	---

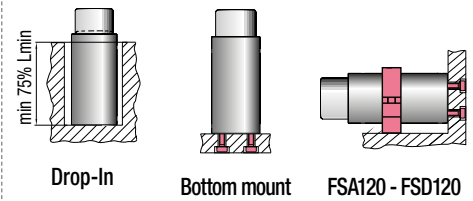
CALLOUT	Cu		L		L min		F ₀		F _{1i} *		F _{1p} **		V ₀		~Kg	~lb	PED 2014/68/EU
	mm	inch	mm	inch	mm	inch	daN	lb	daN	lb	daN	lb	cm ³	in ³			
GSML7500-15-N	15	0.59	135	5.31	120	4.72	7700	17310	10289	23131	11469	25783	291.0	17.75	4.32	9.52	✓
GSML7500-25-N	25	0.98	155	6.10	130	5.12	± 5%	200 bar 2900 psi	11499	25851	13116	29486	365.0	22.27	4.60	10.14	✓
GSML7500-38-N	38	1.50	185	7.28	147	5.79			12377	27825	14333	32222	481.0	29.34	5.03	11.09	✓
GSML7500-50-N	50	1.97	210	8.27	160	6.30	13130	29517	15391	34600	575.0	35.08	5.38	11.86	✓		
GSML7500-63-N	63	2.48	240	9.45	177	6.97	13557	30477	15996	35960	691.0	42.15	5.81	12.81	✓		
GSML7500-80-N	80	3.15	280	11.02	200	7.87	+20 °C	+68 °F	13910	31271	16500	37093	874.0	53.31	6.39	14.09	✓

Order Callout Example:
GSML7500-50-N





Fixings



* F_{1i} =

Isothermal end force at 100% Cu

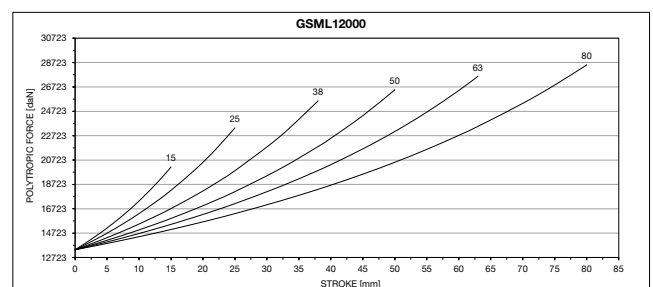
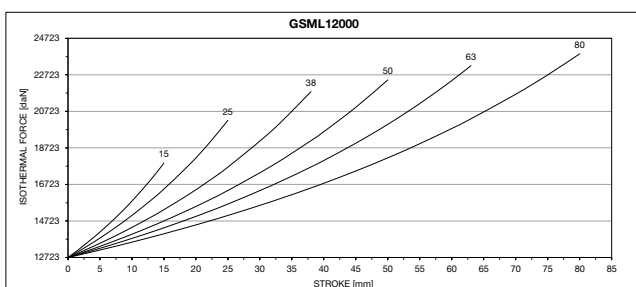
p. 16

** F_{1p} =

Polytropic end force at 100% Cu

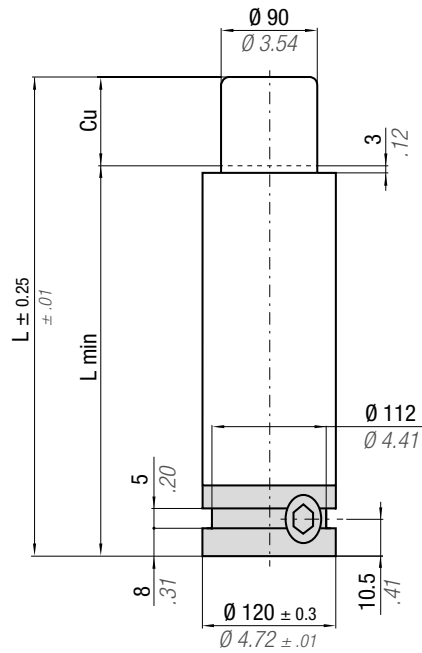
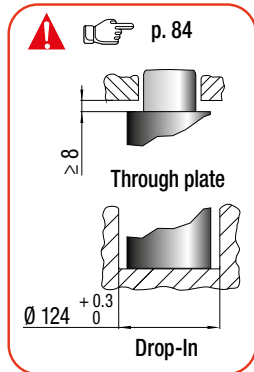
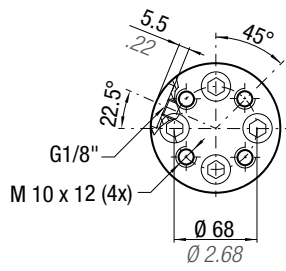
	$^{\circ}\text{F}$ 32 176	$^{\circ}\text{C}$ 0 80	ΔP $\pm 0.33\% / ^{\circ}\text{C}$	P max 200 bar 2900 psi	P min 20 bar 290 psi	S 63.62 cm ² 9.861 in ²	SPM ~ 20 - 50 (at 20°C)	Max Speed 1.6 m/s	Maintenance kit GSRK-39BMML12000C								
CALLOUT	Cu		L		L min		F₀ Initial force		F_{1i} * End force *		F_{1p} ** End force **		V₀				
	mm	inch	mm	inch	mm	inch	daN	lb	daN	lb	daN	lb	cm ³	in ³	~Kg	~lb	2014/68/EU
GSML12000-15	15	0.59	115	4.53	100	3.94	12720	28595	17877	40189	20134	45263	417.0	25.44	5.82	12.83	✓
GSML12000-25	25	0.98	135	5.31	110	4.33	± 5%	200 bar 2900 psi	20211	45436	23346	52484	534.0	32.57	6.29	13.87	✓
GSML12000-38	38	1.50	165	6.50	127	5			21787	48979	25558	57457	718.0	43.80	7.01	15.45	✓
GSML12000-50	50	1.97	195	7.68	145	5.71	22429	50422	26470	59507	906.0	55.27	7.74	17.06	✓		
GSML12000-63	63	2.48	225	8.86	162	6.38	23211	52180	27586	62016	1089.0	66.43	8.46	18.65	✓		
GSML12000-80	80	3.15	265	10.43	185	7.28	+20 °C	+68 °F	23860	53639	28520	64116	1335.0	81.44	9.43	20.79	✓

Order Callout Example:
GSML12000-50
GSML12000-50-CP

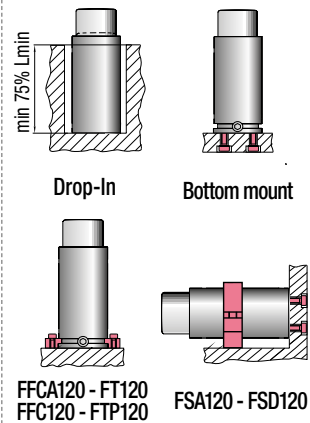


GSML 12000 N

—Linkable G1/8"—



Fixings



* F_{1i} =

Isothermal end force at 100% Cu

** F_{1p} =

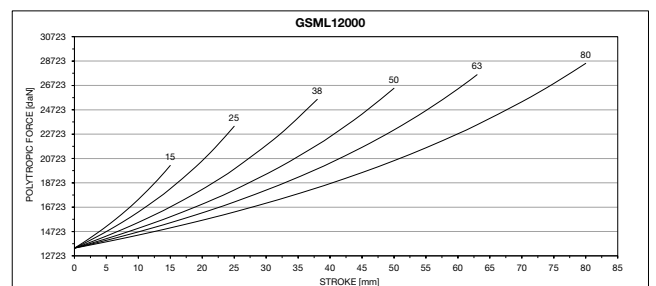
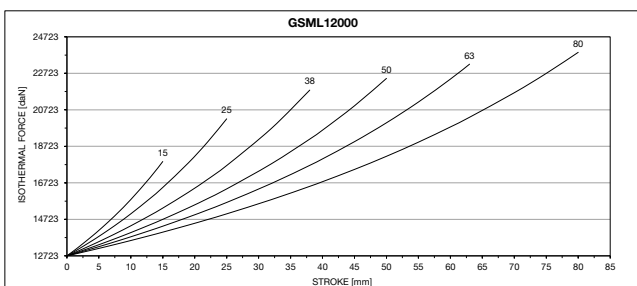
Polytropic end force at 100% Cu

p. 16

	°F 32 - 176	°C 0 - 80	ΔP ± 0.33 %/°C	P max 200 bar 2900 psi	P min 20 bar 290 psi	S 63.62 cm ² 9.861 in ²	SPM ~ 20 - 50 (at 20°C)	Max Speed 1.6 m/s	Maintenance kit GSRK-39BMML12000C
--	----------------------	--------------------	---------------------------	------------------------------	----------------------------	---	-------------------------------	----------------------	--------------------------------------

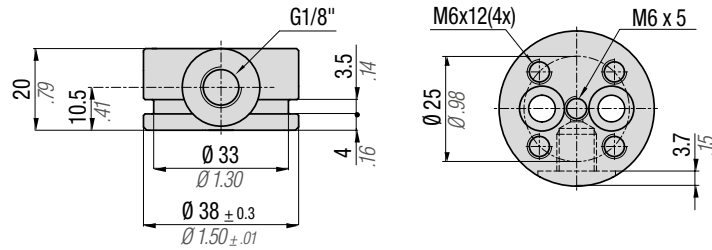
CALLOUT	Cu		L		L min		F ₀		F _{1i} *		F _{1p} **		V ₀		PED 2014/68/EU		
	mm	inch	mm	inch	mm	inch	daN	lb	daN	lb	daN	lb	cm ³	in ³		~Kg	~lb
GSML12000-15	15	0.59	135	5.31	120	4.72	12720 28595 ± 5% 200 bar 2900 psi		17877	40189	20134	45263	417.0	25.44	7.45	16.42	✓
GSML12000-25	25	0.98	155	6.10	130	5.12			20211	45436	23346	52484	534.0	32.57	7.92	17.46	✓
GSML12000-38	38	1.50	185	7.28	147	5.79			21787	48979	25558	57457	718.0	43.80	8.64	19.05	✓
GSML12000-50	50	1.97	215	8.46	165	6.50			22429	50422	26470	59507	906.0	55.27	9.37	20.66	✓
GSML12000-63	63	2.48	245	9.65	182	7.17			23211	52180	27586	62016	1089.0	66.43	10.09	22.24	✓
GSML12000-80	80	3.15	285	11.22	205	8.07			+20 °C	+68 °F	23860	53639	28520	64116	1335.0	81.44	11.06

Order Callout Example:
GSML12000-50-N

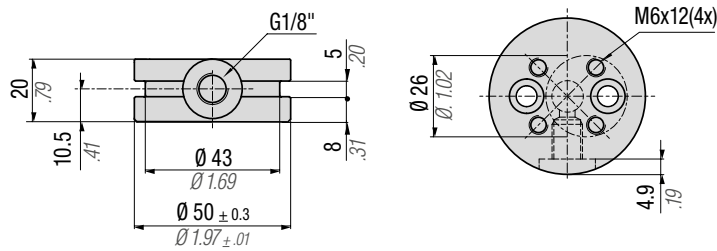


Special kit to convert self-contained cylinders
 Spezial-Set zum Umbau eigenständiger Zylinder
 Kit spécial pour transformer les cylindres autonomes
 Kit especial para transformar cilindros autónomos
 Kit especial para transformar cilindros autónomos

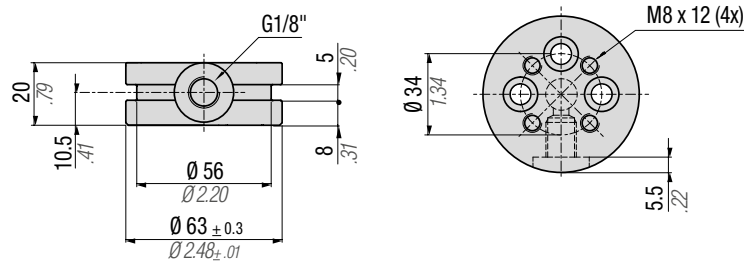
GSFML 1000



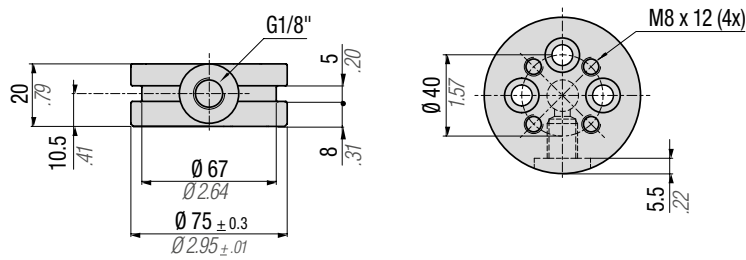
GSFML 1800



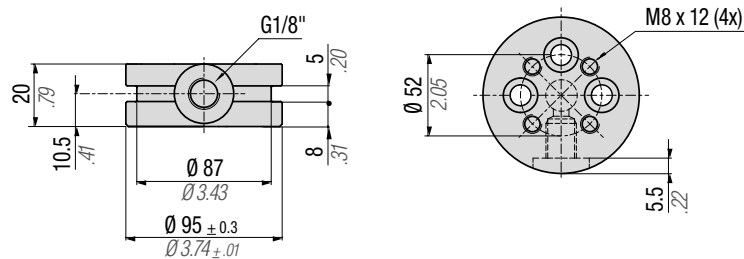
GSFML 3000



GSFML 4700



GSFML 7500



GSFML 12000

