

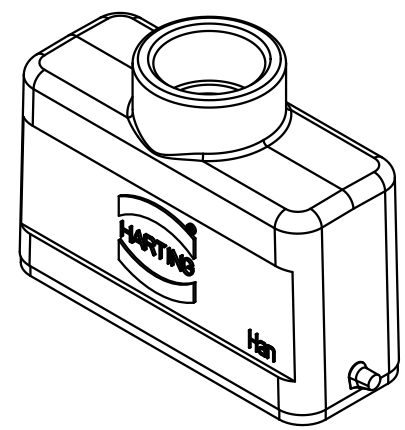
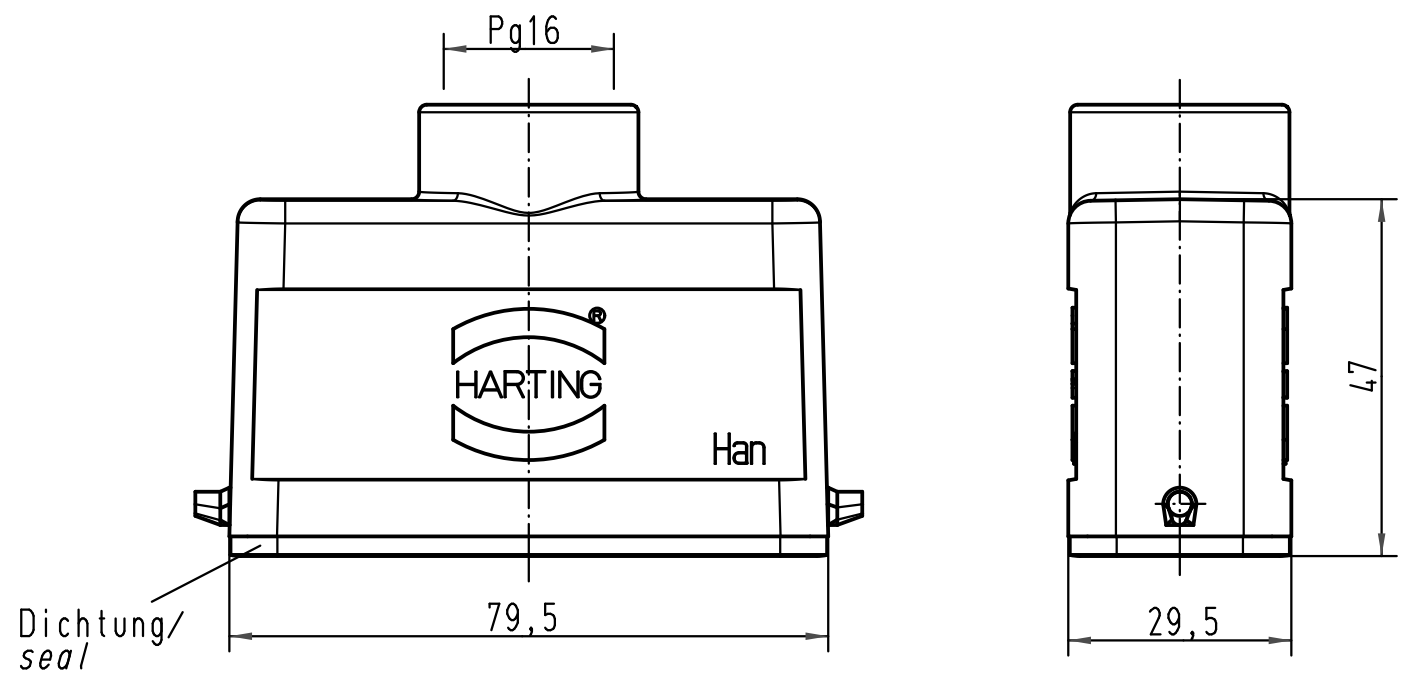
1 2 3 4 5 6

A

B

C

D



|   |          |                   |                                |      |   |  |
|---|----------|-------------------|--------------------------------|------|---|--|
| All Dimensions in mm<br>Original Size DIN A 4 |          | Techn. Character. |                                |      | Nicht tolerierte Maßel/Free size tolerances |  |
|   |          |                   | Dat.                           | Name | Maßstab/Scale<br><b>1:1</b>                 | <b>Han 16A-gg-16</b><br>Tüllengehäuse gerader Kabelausgang/<br><i>hood top-entry</i> |
|   |          | Detail.           | 23.04.99                       | PL   |   |  |
|   |          | Insp.             |                                | SDT  |   |  |
|   |          | Stand.            |                                |      |   |  |
| 413155  | 27.08.07 | Ho                | HARTING Electric GmbH & Co. KG |      |   | <b>TB 09 20 016 1441</b>   |
| 25853   |          |                   | D-32339 Espelkamp              |      |   |  |
| Mod.  | Dat.     | Name              |                                |      |   | Sub. f. TB 09 20 01. 144. v. 17.02.93  |
|   |          |                   |                                |      |   | Blatt/ page  |