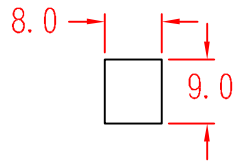
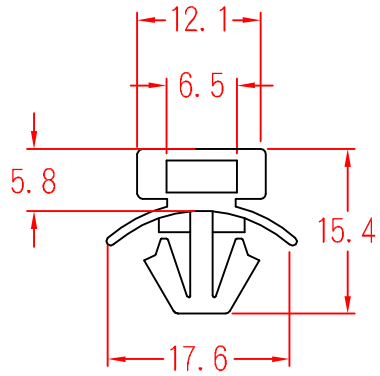
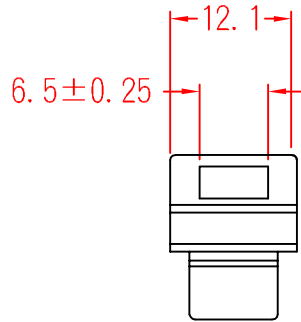


# PHC-6.5



To fit hole  
Chassis 3.2mm

		MATERIAL	UL 94V-2	ITEM NO.	PHC-6.5	
			NYLON 66			
SCALE		FINISH		NAME	PUSH TIE MOUNT	
△	( . . )	TOLERANCE ±0.5mm		△	06-29-2000	REVISIONS K001
				DATE		R.NO.

